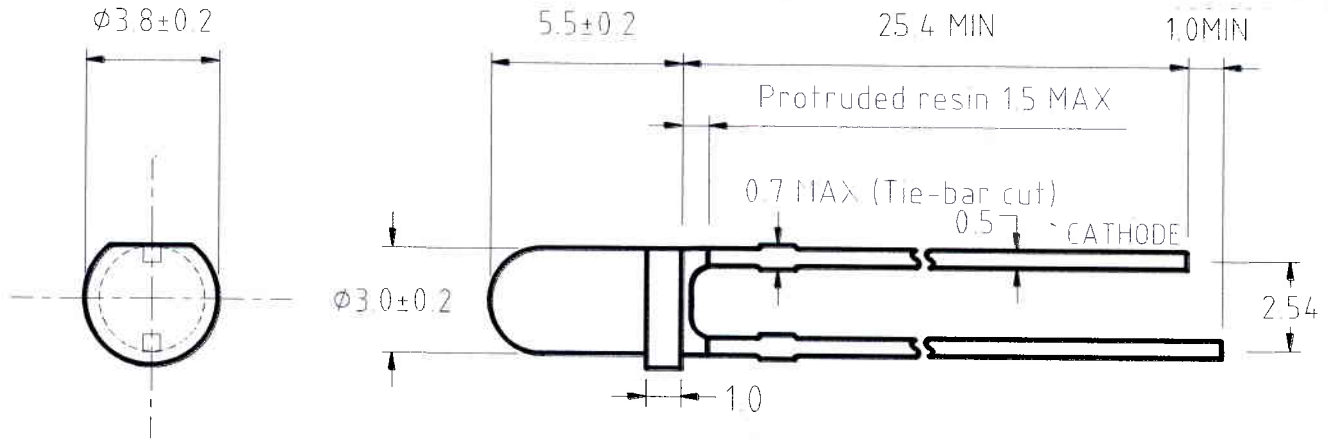




L314NWC-30D 3mm White LED Lamp

205 Dempsey Street, Elburn, IL 60119
630-365-5450 tel



ABSOLUTE MAXIMUM RATINGS

(Ta=25°C)

Parameter	Symbol	Ratings	Unit
Forward Current	I _f	30	mA
Peak Forward Current (Duty 1/10@10ms)	I _{fp}	100	mA
Power Dissipation	P _d	108	mW
Reverse Voltage	V _r	5	V
Operating Temperature Range	T _{opr}	-25~+85	°C
Storage Temperature Range	T _{stg}	-35~+100	°C
Solder Dipping Temperature	T _{sld}	260°C for 5 sec	

OPTICAL-ELECTRICAL CHARACTERISTICS

(Ta=25°C)

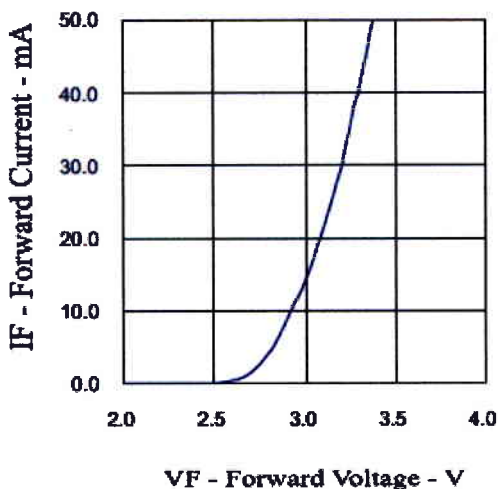
Parameter	Symbol	Test Condition	Min	Typ	Max	Unit
Luminous Intensity	I _v	I _F =20mA	7000	10000	--	mcd
Chromaticity Coordinate	X		--	0.31	--	--
	Y		--	0.32	--	--
Forward Voltage	V _f		--	3.2	3.6	V
Viewing Angle	2θ1/2		--	20	--	deg
Reverse Current	I _r	V _r =5V	--	--	50	μA



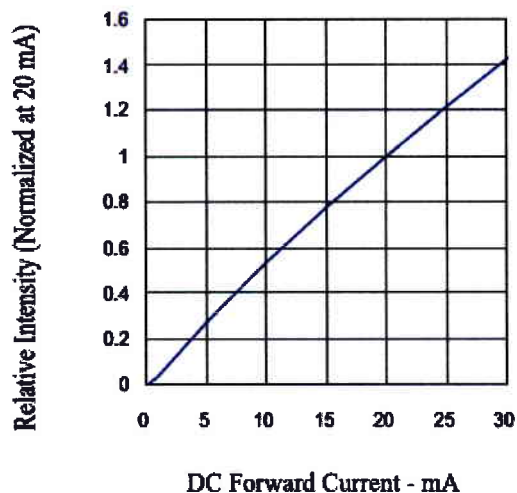
L314NWC-30D
3mm White LED Lamp

TYPICAL ELECTRO-OPTICAL CHARACTERISTIC CURVES

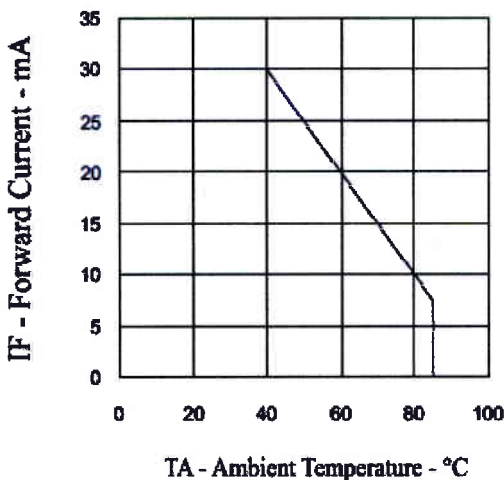
Forward Current vs. Forward Voltage



Relative Intensity vs. Forward Current



Forward Current vs. Ambient Temperature



Relative Intensity vs. Wavelength

