

LED T2 PSB Short Slide Base Lamp

Type: L-T2 PSB.

Characters:

Epoxy Lens Color: Water Clear, Frosted.

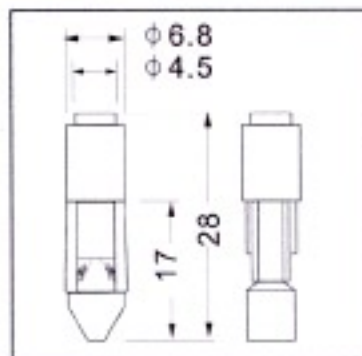
Color: Red, Green, Blue, Yellow, White.

Dia. & Length: **Base:**

T6.8*28mm. PSB, NO: 5.

Bulb Shape: **For:**

Dome, Flat. Telephone, Indicator.



Part Number and Description

Part Number	Diameter Length	Color	Volts	Base	Design Current (mA)	Wave length (nm)	Lumens (M.c.d)	Life time (h)	Viewing Angle
LPSB-28RF-01D	T6.8*28mm	Red	DC 6V	PSB	17±2mA	620-630	0.8lm	30K(h)	65°
LPSB-28RF-02D	T6.8*28mm	Red	DC 12V	PSB	17±2mA	620-630	0.8lm	30K(h)	65°
LPSB-28RF-03A	T6.8*28mm	Red	AC 24V	PSB	14±2mA	620-630	0.6lm	30K(h)	65°
LPSB-28RF-04A	T6.8*28mm	Red	AC 28V	PSB	16±2mA	620-630	0.8lm	30K(h)	65°
LPSB-28RF-05A	T6.8*28mm	Red	AC 48V	PSB	14±2mA	620-630	0.6lm	30K(h)	65°
LPSB-28RF-06A	T6.8*28mm	Red	AC 60V	PSB	8±2mA	620-630	0.4lm	30K(h)	65°
LPSB-28RF-07A	T6.8*28mm	Red	AC 120V	PSB	4.5±2mA	620-630	0.2lm	30K(h)	65°
LPSB-28RF-08A	T6.8*28mm	Red	AC 220V	PSB	2±2mA	620-630	0.1lm	30K(h)	65°
LPSB-28GF-01D	T6.8*28mm	Green	DC 6V	PSB	17±2mA	515-525	1.7lm	30K(h)	65°
LPSB-28GF-02D	T6.8*28mm	Green	DC 12V	PSB	17±2mA	515-525	1.7lm	30K(h)	65°
LPSB-28GF-03A	T6.8*28mm	Green	AC 24V	PSB	14±2mA	515-525	1.8lm	30K(h)	65°
LPSB-28GF-04A	T6.8*28mm	Green	AC 28V	PSB	17±2mA	515-525	1.8lm	30K(h)	65°
LPSB-28GF-05A	T6.8*28mm	Green	AC 48V	PSB	12±2mA	515-525	1.4lm	30K(h)	65°
LPSB-28GF-06A	T6.8*28mm	Green	AC 60V	PSB	8±2mA	515-525	1.0lm	30K(h)	65°
LPSB-28GF-07A	T6.8*28mm	Green	AC 120V	PSB	4.5±2mA	515-525	0.6lm	30K(h)	65°
LPSB-28GF-08A	T6.8*28mm	Green	AC 220V	PSB	2±2mA	515-525	0.3lm	30K(h)	65°
LPSB-28BF-01D	T6.8*28mm	Blue	DC 6V	PSB	17±2mA	465-475	0.5lm	30K(h)	65°
LPSB-28BF-02D	T6.8*28mm	Blue	DC 12V	PSB	16±2mA	465-475	0.5lm	30K(h)	65°
LPSB-28BF-03A	T6.8*28mm	Blue	AC 24V	PSB	15±2mA	465-475	0.5lm	30K(h)	65°
LPSB-28BF-04A	T6.8*28mm	Blue	AC 28V	PSB	17±2mA	465-475	0.4lm	30K(h)	65°
LPSB-28BF-05A	T6.8*28mm	Blue	AC 48V	PSB	12±2mA	465-475	0.3lm	30K(h)	65°
LPSB-28BF-06A	T6.8*28mm	Blue	AC 60V	PSB	8±2mA	465-475	0.2lm	30K(h)	65°
LPSB-28BF-07A	T6.8*28mm	Blue	AC 120V	PSB	5±2mA	465-475	0.2lm	30K(h)	65°
LPSB-28BF-08A	T6.8*28mm	Blue	AC 220V	PSB	3±2mA	465-475	0.1lm	30K(h)	65°
LPSB-28YF-01D	T6.8*28mm	Yellow	DC 6V	PSB	17±2mA	585-595	0.6lm	30K(h)	65°
LPSB-28YF-02D	T6.8*28mm	Yellow	DC 12V	PSB	17±2mA	585-595	0.6lm	30K(h)	65°
LPSB-28YF-03A	T6.8*28mm	Yellow	AC 24V	PSB	15±2mA	585-595	0.5lm	30K(h)	65°
LPSB-28YF-04A	T6.8*28mm	Yellow	AC 28V	PSB	16±2mA	585-595	0.4lm	30K(h)	65°
LPSB-28YF-05A	T6.8*28mm	Yellow	AC 48V	PSB	13±2mA	585-595	0.3lm	30K(h)	65°
LPSB-28YF-06A	T6.8*28mm	Yellow	AC 60V	PSB	8±2mA	585-595	0.3lm	30K(h)	65°
LPSB-28YF-07A	T6.8*28mm	Yellow	AC 120V	PSB	4.5±2mA	585-595	0.2lm	30K(h)	65°
LPSB-28YF-08A	T6.8*28mm	Yellow	AC 220V	PSB	3±2mA	585-595	0.1lm	30K(h)	65°
LPSB-28WF-01D	T6.8*28mm	White	DC 6V	PSB	16±2mA	(K)5000-6000	2.3lm	30K(h)	65°
LPSB-28WF-02D	T6.8*28mm	White	DC 12V	PSB	16±2mA	(K)5000-6000	2.3lm	30K(h)	65°
LPSB-28WF-03A	T6.8*28mm	White	AC 24V	PSB	14±2mA	(K)5000-6000	2.2lm	30K(h)	65°
LPSB-28WF-04A	T6.8*28mm	White	AC 28V	PSB	15±2mA	(K)5000-6000	2.1lm	30K(h)	65°
LPSB-28WF-05A	T6.8*28mm	White	AC 48V	PSB	12±2mA	(K)5000-6000	1.8lm	30K(h)	65°
LPSB-28WF-06A	T6.8*28mm	White	AC 60V	PSB	6±2mA	(K)5000-6000	1.2lm	30K(h)	65°
LPSB-28WF-07A	T6.8*28mm	White	AC 120V	PSB	4.5±2mA	(K)5000-6000	0.9lm	30K(h)	65°
LPSB-28WF-08A	T6.8*28mm	White	AC 220V	PSB	2±2mA	(K)5000-6000	0.7lm	30K(h)	65°