

LED T4.6 Slide Base Lamp

Type : L-T4.6 SB

Characters:

Epoxy Lens Color: Water Clear, Frosted.

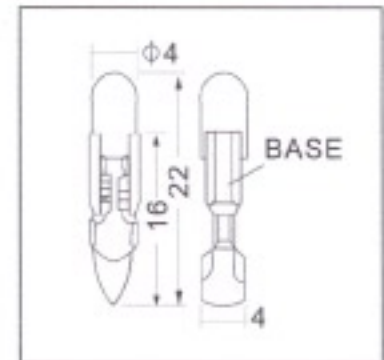
Color: Red, Green, Blue, Yellow, White.

Dia. & Length: **Base:**

T4.6*22mm. T4.6

Bulb Shape : **For:**

Dome. Telephone, Indicator.



Part Number and Description

Part Number	Diameter Length	Color	Volts	Base	Design Current (mA)	Wave length(nm)	Lumens (M.c.d)	Life time(h)	Viewing Angle
LT4.6-RD-01D	T4.6*22mm	Red	DC 6V	T4.6	17±2mA	620-630	0.9lm	30K(h)	60°
LT4.6-RD-02D	T4.6*22mm	Red	DC 12V	T4.6	17±2mA	620-630	0.9lm	30K(h)	60°
LT4.6-RD-03D	T4.6*22mm	Red	DC 24V	T4.6	17±2mA	620-630	0.9lm	30K(h)	60°
LT4.6-RD-04D	T4.6*22mm	Red	DC 28V	T4.6	18±2mA	620-630	0.9lm	30K(h)	60°
LT4.6-RD-05D	T4.6*22mm	Red	DC 36V	T4.6	16±2mA	620-630	0.8lm	30K(h)	60°
LT4.6-RD-06D	T4.6*22mm	Red	DC 48V	T4.6	16±2mA	620-630	0.8lm	30K(h)	60°
LT4.6-RD-07D	T4.6*22mm	Red	DC 60V	T4.6	15±2mA	620-630	0.7lm	30K(h)	60°
LT4.6-GD-01D	T4.6*22mm	Green	DC 6V	T4.6	16±2mA	515-525	2.2lm	30K(h)	60°
LT4.6-GD-02D	T4.6*22mm	Green	DC 12V	T4.6	16±2mA	515-525	2.2lm	30K(h)	60°
LT4.6-GD-03D	T4.6*22mm	Green	DC 24V	T4.6	16±2mA	515-525	2.2lm	30K(h)	60°
LT4.6-GD-04D	T4.6*22mm	Green	DC 28V	T4.6	17±2mA	515-525	2.3lm	30K(h)	60°
LT4.6-GD-05D	T4.6*22mm	Green	DC 36V	T4.6	16±2mA	515-525	2.2lm	30K(h)	60°
LT4.6-GD-06D	T4.6*22mm	Green	DC 48V	T4.6	15±2mA	515-525	2.1lm	30K(h)	60°
LT4.6-GD-07D	T4.6*22mm	Green	DC 60V	T4.6	15±2mA	515-525	2.1lm	30K(h)	60°
LT4.6-BD-01D	T4.6*22mm	Blue	DC 6V	T4.6	17±2mA	465-475	0.3lm	30K(h)	60°
LT4.6-BD-02D	T4.6*22mm	Blue	DC 12V	T4.6	17±2mA	465-475	0.3lm	30K(h)	60°
LT4.6-BD-03D	T4.6*22mm	Blue	DC 24V	T4.6	16±2mA	465-475	0.3lm	30K(h)	60°
LT4.6-BD-04D	T4.6*22mm	Blue	DC 28V	T4.6	17±2mA	465-475	0.3lm	30K(h)	60°
LT4.6-BD-05D	T4.6*22mm	Blue	DC 36V	T4.6	16±2mA	465-475	0.3lm	30K(h)	60°
LT4.6-BD-06D	T4.6*22mm	Blue	DC 48V	T4.6	15±2mA	465-475	0.2lm	30K(h)	60°
LT4.6-BD-07D	T4.6*22mm	Blue	DC 60V	T4.6	15±2mA	465-475	0.2lm	30K(h)	60°
LT4.6-YD-01D	T4.6*22mm	Yellow	DC 6V	T4.6	17±2mA	585-595	0.4lm	30K(h)	60°
LT4.6-YD-02D	T4.6*22mm	Yellow	DC 12V	T4.6	17±2mA	585-595	0.4lm	30K(h)	60°
LT4.6-YD-03D	T4.6*22mm	Yellow	DC 24V	T4.6	18±2mA	585-595	0.5lm	30K(h)	60°
LT4.6-YD-04D	T4.6*22mm	Yellow	DC 28V	T4.6	18±2mA	585-595	0.5lm	30K(h)	60°
LT4.6-YD-05D	T4.6*22mm	Yellow	DC 36V	T4.6	17±2mA	585-595	0.4lm	30K(h)	60°
LT4.6-YD-06D	T4.6*22mm	Yellow	DC 48V	T4.6	16±2mA	585-595	0.4lm	30K(h)	60°
LT4.6-YD-07D	T4.6*22mm	Yellow	DC 60V	T4.6	16±2mA	585-595	0.4lm	30K(h)	60°
LT4.6-WD-01D	T4.6*22mm	White	DC 6V	T4.6	16±2mA	(K)5000-6000	2.2lm	30K(h)	60°
LT4.6-WD-02D	T4.6*22mm	White	DC 12V	T4.6	16±2mA	(K)5000-6000	2.3lm	30K(h)	60°
LT4.6-WD-03D	T4.6*22mm	White	DC 24V	T4.6	16±2mA	(K)5000-6000	2.2lm	30K(h)	60°
LT4.6-WD-04D	T4.6*22mm	White	DC 28V	T4.6	17±2mA	(K)5000-6000	2.3lm	30K(h)	60°
LT4.6-WD-05D	T4.6*22mm	White	DC 36V	T4.6	17±2mA	(K)5000-6000	2.2lm	30K(h)	60°
LT4.6-WD-06D	T4.6*22mm	White	DC 48V	T4.6	16±2mA	(K)5000-6000	2.2lm	30K(h)	60°
LT4.6-WD-07D	T4.6*22mm	White	DC 60V	T4.6	15±2mA	(K)5000-6000	2.1lm	30K(h)	60°

Package

Bulk..... 100 Pcs/Bag

Bulk..... 100 Pcs/Box

Bulk..... 20 Box/Carton

Bulk..... 10000 Pcs/Carton