

LED T5.5K Slide Base Lamp

Type: **L-T5.5KSB**

Characters:

Epoxy Lens Color: Water Clear. Frosted.

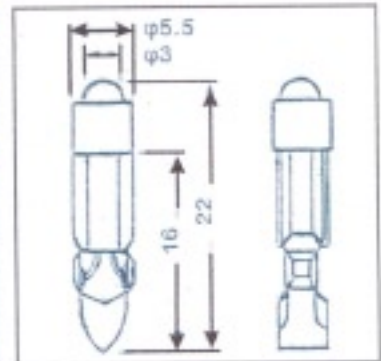
Color: Red. Green. Blue. Yellow. White.

Dia. & Length: **Base:**

T5.5*22mm. T5.5K

Bulb Shape: **For:**

Dome. Flat. Telephone. indicator.



Part Number and Description

Part Number	Diameter Length	Color	Volts	Base	Design + 2mA Current (mA)	Wave length(nm)	Lumens (M.c.d)	Life time(h)	Viewing Angle
LT5.5K-RF-01D	T5.5*22mm	Red	DC 6V	T5.5 K	17 ± 2mA	620-630	0.8lm	30K(h)	60°
LT5.5K-RF-02D	T5.5*22mm	Red	DC 12V	T5.5 K	17 ± 2mA	620-630	0.8lm	30K(h)	60°
LT5.5K-RF-03D	T5.5*22mm	Red	DC 24V	T5.5 K	15 ± 2mA	620-630	0.7lm	30K(h)	60°
LT5.5K-RF-04D	T5.5*22mm	Red	DC 28V	T5.5 K	16 ± 2mA	620-630	0.8lm	30K(h)	60°
LT5.5K-RF-05D	T5.5*22mm	Red	DC 36V	T5.5 K	16 ± 2mA	620-630	0.8lm	30K(h)	60°
LT5.5K-RF-06D	T5.5*22mm	Red	DC 48V	T5.5 K	16 ± 2mA	620-630	0.8lm	30K(h)	60°
LT5.5K-RF-07D	T5.5*22mm	Red	DC 60V	T5.5 K	15 ± 2mA	620-630	0.7lm	30K(h)	60°
LT5.5K-GF-01D	T5.5*22mm	Green	DC 6V	T5.5 K	16 ± 2mA	515-525	2.0lm	30K(h)	60°
LT5.5K-GF-02D	T5.5*22mm	Green	DC 12V	T5.5 K	16 ± 2mA	515-525	2.0lm	30K(h)	60°
LT5.5K-GF-03D	T5.5*22mm	Green	DC 24V	T5.5 K	16 ± 2mA	515-525	2.0lm	30K(h)	60°
LT5.5K-GF-04D	T5.5*22mm	Green	DC 28V	T5.5 K	17 ± 2mA	515-525	2.1lm	30K(h)	60°
LT5.5K-GF-05D	T5.5*22mm	Green	DC 36V	T5.5 K	16 ± 2mA	515-525	2.0lm	30K(h)	60°
LT5.5K-GF-06D	T5.5*22mm	Green	DC 48V	T5.5 K	15 ± 2mA	515-525	1.9lm	30K(h)	60°
LT5.5K-GF-07D	T5.5*22mm	Green	DC 60V	T5.5 K	15 ± 2mA	515-525	1.9lm	30K(h)	60°
LT5.5K-BF-01D	T5.5*22mm	Blue	DC 6V	T5.5 K	17 ± 2mA	465-475	0.3lm	30K(h)	60°
LT5.5K-BF-02D	T5.5*22mm	Blue	DC 12V	T5.5 K	17 ± 2mA	465-475	0.3lm	30K(h)	60°
LT5.5K-BF-03D	T5.5*22mm	Blue	DC 24V	T5.5 K	15 ± 2mA	465-475	0.2lm	30K(h)	60°
LT5.5K-BF-04D	T5.5*22mm	Blue	DC 28V	T5.5 K	16 ± 2mA	465-475	0.3lm	30K(h)	60°
LT5.5K-BF-05D	T5.5*22mm	Blue	DC 36V	T5.5 K	16 ± 2mA	465-475	0.3lm	30K(h)	60°
LT5.5K-BF-06D	T5.5*22mm	Blue	DC 48V	T5.5 K	16 ± 2mA	465-475	0.3lm	30K(h)	60°
LT5.5K-BF-07D	T5.5*22mm	Blue	DC 60V	T5.5 K	15 ± 2mA	465-475	0.2lm	30K(h)	60°
LT5.5K-YF-01D	T5.5*22mm	Yellow	DC 6V	T5.5 K	17 ± 2mA	585-595	0.4lm	30K(h)	60°
LT5.5K-YF-02D	T5.5*22mm	Yellow	DC 12V	T5.5 K	17 ± 2mA	585-595	0.4lm	30K(h)	60°
LT5.5K-YF-03D	T5.5*22mm	Yellow	DC 24V	T5.5 K	15 ± 2mA	585-595	0.3lm	30K(h)	60°
LT5.5K-YF-04D	T5.5*22mm	Yellow	DC 28V	T5.5 K	16 ± 2mA	585-595	0.4lm	30K(h)	60°
LT5.5K-YF-05D	T5.5*22mm	Yellow	DC 36V	T5.5 K	17 ± 2mA	585-595	0.4lm	30K(h)	60°
LT5.5K-YF-06D	T5.5*22mm	Yellow	DC 48V	T5.5 K	17 ± 2mA	585-595	0.4lm	30K(h)	60°
LT5.5K-YF-07D	T5.5*22mm	Yellow	DC 60V	T5.5 K	16 ± 2mA	585-595	0.4lm	30K(h)	60°
LT5.5K-WF-01D	T5.5*22mm	White	DC 6V	T5.5 K	16 ± 2mA	(K)5000-6000	2.1lm	30K(h)	60°
LT5.5K-WF-02D	T5.5*22mm	White	DC 12V	T5.5 K	16 ± 2mA	(K)5000-6000	2.1lm	30K(h)	60°
LT5.5K-WF-03D	T5.5*22mm	White	DC 24V	T5.5 K	15 ± 2mA	(K)5000-6000	2.0lm	30K(h)	60°
LT5.5K-WF-04D	T5.5*22mm	White	DC 28V	T5.5 K	17 ± 2mA	(K)5000-6000	2.1lm	30K(h)	60°
LT5.5K-WF-05D	T5.5*22mm	White	DC 36V	T5.5 K	16 ± 2mA	(K)5000-6000	2.1lm	30K(h)	60°
LT5.5K-WF-06D	T5.5*22mm	White	DC 48V	T5.5 K	16 ± 2mA	(K)5000-6000	2.1lm	30K(h)	60°
LT5.5K-WF-07D	T5.5*22mm	White	DC 60V	T5.5 K	16 ± 2mA	(K)5000-6000	2.1lm	30K(h)	60°

Package

Bulk..... 100 Pcs/Bag
 Bulk..... 100 Pcs/Box

Bulk..... 20 Box/Carton
 Bulk..... 10000 Pcs/Carton