

LED T10 -SMD.3 chips Wedge Base Lamp

Type : L-T10W-SMD-3C

Characters:

Epoxy Lens Color:Water Clear.Frosted.

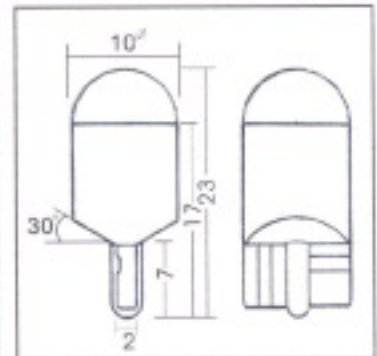
Color: Red. Green. Blue. Yellow. White.

Dia & Length: **Base:**

T10*23mm W2.1*9.5d

Bulb Shape : **For:**

3 chips Dome. Indicator. Auto Instrument. Signal.Map.Courtesy.



Part Number and Description

Part Number	Diameter Length	Color	Volts	Base	Design Current (mA)	Wave length(nm)	Lumens (M.c.d)	Life time(h)	Viewing Angle
LT10WR-3CD-01D	T10*23mm	Red	DC 6V	W2.1*9.5d	24 ± 2mA	620-630	3lm	30K(h)	120°
LT10WR-3CD-02D	T10*23mm	Red	DC 12V	W2.1*9.5d	24 ± 2mA	620-630	3lm	30K(h)	120°
LT10WR-3CD-03D	T10*23mm	Red	DC 14V	W2.1*9.5d	24 ± 2mA	620-630	3lm	30K(h)	120°
LT10WR-3CD-04D	T10*23mm	Red	DC 24V	W2.1*9.5d	23 ± 2mA	620-630	3lm	30K(h)	120°
LT10WR-3CD-05D	T10*23mm	Red	DC 28V	W2.1*9.5d	24 ± 2mA	620-630	3lm	30K(h)	120°
LT10WG-3CD-01D	T10*23mm	Green	DC 6V	W2.1*9.5d	21 ± 2mA	515-525	9lm	30K(h)	120°
LT10WG-3CD-02D	T10*23mm	Green	DC 12V	W2.1*9.5d	21 ± 2mA	515-525	9lm	30K(h)	120°
LT10WG-3CD-03D	T10*23mm	Green	DC 14V	W2.1*9.5d	22 ± 2mA	515-525	9lm	30K(h)	120°
LT10WG-3CD-04D	T10*23mm	Green	DC 24V	W2.1*9.5d	21 ± 2mA	515-525	9lm	30K(h)	120°
LT10WG-3CD-05D	T10*23mm	Green	DC 28V	W2.1*9.5d	22 ± 2mA	515-525	9lm	30K(h)	120°
LT10WB-3CD-01D	T10*23mm	Blue	DC 6V	W2.1*9.5d	21 ± 2mA	465-475	3lm	30K(h)	120°
LT10WB-3CD-02D	T10*23mm	Blue	DC 12V	W2.1*9.5d	21 ± 2mA	465-475	3lm	30K(h)	120°
LT10WB-3CD-03D	T10*23mm	Blue	DC 14V	W2.1*9.5d	22 ± 2mA	465-475	3lm	30K(h)	120°
LT10WB-3CD-04D	T10*23mm	Blue	DC 24V	W2.1*9.5d	21 ± 2mA	465-475	3lm	30K(h)	120°
LT10WB-3CD-05D	T10*23mm	Blue	DC 28V	W2.1*9.5d	22 ± 2mA	465-475	3lm	30K(h)	120°
LT10WY-3CD-01D	T10*23mm	Yellow	DC 6V	W2.1*9.5d	23 ± 2mA	585-595	1.8lm	30K(h)	120°
LT10WY-3CD-02D	T10*23mm	Yellow	DC 12V	W2.1*9.5d	23 ± 2mA	585-595	1.8lm	30K(h)	120°
LT10WY-3CD-03D	T10*23mm	Yellow	DC 14V	W2.1*9.5d	24 ± 2mA	585-595	1.8lm	30K(h)	120°
LT10WY-3CD-04D	T10*23mm	Yellow	DC 24V	W2.1*9.5d	23 ± 2mA	585-595	1.8lm	30K(h)	120°
LT10WY-3CD-05D	T10*23mm	Yellow	DC 28V	W2.1*9.5d	24 ± 2mA	585-595	1.8lm	30K(h)	120°
LT10WW-3CD-01D	T10*23mm	White	DC 6V	W2.1*9.5d	20 ± 2mA	(K)5000-6000	14lm	30K(h)	120°
LT10WW-3CD-02D	T10*23mm	White	DC 12V	W2.1*9.5d	20 ± 2mA	(K)5000-6000	14lm	30K(h)	120°
LT10WW-3CD-03D	T10*23mm	White	DC 14V	W2.1*9.5d	21 ± 2mA	(K)5000-6000	14lm	30K(h)	120°
LT10WW-3CD-04D	T10*23mm	White	DC 24V	W2.1*9.5d	20 ± 2mA	(K)5000-6000	14lm	30K(h)	120°
LT10WW-3CD-05D	T10*23mm	White	DC 28V	W2.1*9.5d	21 ± 2mA	(K)5000-6000	14lm	30K(h)	120°

• Customer's Design are Acceptable whatever on the Lamp's Viewing Angle or Wave Length.

Package

- Bulk..... 100 Pcs/Bag
- Bulk..... 100 Pcs/Box
- Bulk..... 20 Box/Carton
- Bulk..... 10000 Pcs/Carton