

LED T1 3/4 (S4s) Midget Grooved Base Lamp

Type : L-T5.8MG

Characters:

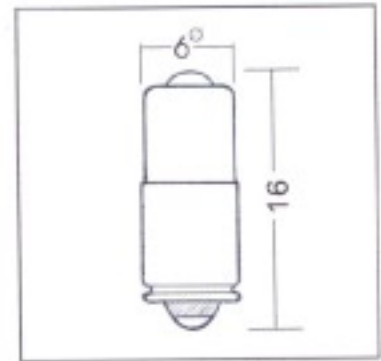
Epoxy Lens Color: Water Clear.Frosted.

Color: Red. Green. Blue. Yellow. White.

Dia & Length: T5.8*16mm.

Base: S4s

Bulb Shape : Dome.Flat.
For: Aircraft.Courtesy.
 Indicator.Toy.



Part Number and Description

Part Number	Diameter Length	Color	Volts	Base	Design Current (mA)	Wave length(nm)	Lumens (M.c.d)	Life time(h)	Viewing Angle
LT5.8S4s-RD-01D	T5.8*16mm	Red	DC 6V	S4s	17±2mA	620-630	0.8lm	30K(h)	60°
LT5.8S4s-RD-02D	T5.8*16mm	Red	DC 12V	S4s	17±2mA	620-630	0.8lm	30K(h)	60°
LT5.8S4s-RD-03D	T5.8*16mm	Red	DC 14V	S4s	18±2mA	620-630	0.8lm	30K(h)	60°
LT5.8S4s-RD-04D	T5.8*16mm	Red	DC 24V	S4s	17±2mA	620-630	0.8lm	30K(h)	60°
LT5.8S4s-RD-05D	T5.8*16mm	Red	DC 28V	S4s	18±2mA	620-630	0.8lm	30K(h)	60°
LT5.8S4s-GD-01D	T5.8*16mm	Green	DC 6V	S4s	17±2mA	515-525	1.8lm	30K(h)	60°
LT5.8S4s-GD-02D	T5.8*16mm	Green	DC 12V	S4s	16±2mA	515-525	1.8lm	30K(h)	60°
LT5.8S4s-GD-03D	T5.8*16mm	Green	DC 14V	S4s	17±2mA	515-525	1.8lm	30K(h)	60°
LT5.8S4s-GD-04D	T5.8*16mm	Green	DC 24V	S4s	17±2mA	515-525	1.8lm	30K(h)	60°
LT5.8S4s-GD-05D	T5.8*16mm	Green	DC 28V	S4s	18±2mA	515-525	1.8lm	30K(h)	60°
LT5.8S4s-BD-01D	T5.8*16mm	Blue	DC 6V	S4s	17±2mA	465-475	0.3lm	30K(h)	60°
LT5.8S4s-BD-02D	T5.8*16mm	Blue	DC 12V	S4s	17±2mA	465-475	0.3lm	30K(h)	60°
LT5.8S4s-BD-03D	T5.8*16mm	Blue	DC 14V	S4s	18±2mA	465-475	0.3lm	30K(h)	60°
LT5.8S4s-BD-04D	T5.8*16mm	Blue	DC 24V	S4s	17±2mA	465-475	0.3lm	30K(h)	60°
LT5.8S4s-BD-05D	T5.8*16mm	Blue	DC 28V	S4s	18±2mA	465-475	0.3lm	30K(h)	60°
LT5.8S4s-YD-01D	T5.8*16mm	Yellow	DC 6V	S4s	17±2mA	585-595	0.3lm	30K(h)	60°
LT5.8S4s-YD-02D	T5.8*16mm	Yellow	DC 12V	S4s	17±2mA	585-595	0.3lm	30K(h)	60°
LT5.8S4s-YD-03D	T5.8*16mm	Yellow	DC 14V	S4s	18±2mA	585-595	0.3lm	30K(h)	60°
LT5.8S4s-YD-04D	T5.8*16mm	Yellow	DC 24V	S4s	17±2mA	585-595	0.3lm	30K(h)	60°
LT5.8S4s-YD-05D	T5.8*16mm	Yellow	DC 28V	S4s	18±2mA	585-595	0.3lm	30K(h)	60°
LT5.8S4s-WD-01D	T5.8*16mm	White	DC 6V	S4s	17±2mA	(K)5000-6000	2.1lm	30K(h)	60°
LT5.8S4s-WD-02D	T5.8*16mm	White	DC 12V	S4s	16±2mA	(K)5000-6000	2.0lm	30K(h)	60°
LT5.8S4s-WD-03D	T5.8*16mm	White	DC 14V	S4s	17±2mA	(K)5000-6000	2.1lm	30K(h)	60°
LT5.8S4s-WD-04D	T5.8*16mm	White	DC 24V	S4s	17±2mA	(K)5000-6000	2.1lm	30K(h)	60°
LT5.8S4s-WD-05D	T5.8*16mm	White	DC 28V	S4s	18±2mA	(K)5000-6000	2.2lm	30K(h)	60°

• Customer's Design are Acceptable whatever on the Lamp's Viewing Angle or Wave Length.

Package

Bulk..... 100 Pcs/Bag

Bulk..... 100 Pcs/Box

Bulk..... 20 Box/Carton

Bulk..... 10000 Pcs/Carton