

# LED T13-6L Wedge Base Lamp

**Type:** L-T13W-6L

**Characters:**

Epoxy Lens Color: Water Clear, Frosted.

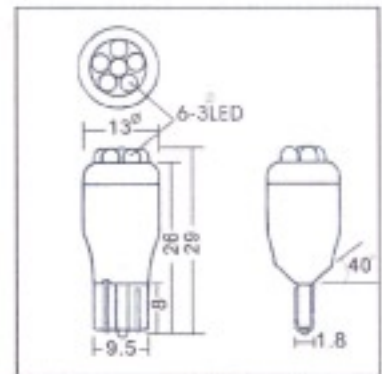
**Color:** Red, Green, Blue, Yellow, White.

**Dia. & Length:** **Base:**

T13\*29mm. W2.1\*9.5d

**Bulb Shape:** **For:**

Dome-6L Indicator, Auto Instrument, Signal, Aircraft.



## Part Number and Description

| Part Number  | Diameter Length | Color  | Volts  | Base      | Design Current (mA) | Wave length(nm) | Lumens (M.c.d) | Life time(h) | Viewing Angle |
|--------------|-----------------|--------|--------|-----------|---------------------|-----------------|----------------|--------------|---------------|
| LT13WR6L-01D | T13*29mm        | Red    | DC 6V  | W2.1*9.5d | 30 ± 2mA            | 620-630         | 1.5lm          | 30K(h)       | 60°           |
| LT13WR6L-02D | T13*29mm        | Red    | DC 12V | W2.1*9.5d | 31 ± 2mA            | 620-630         | 1.6lm          | 30K(h)       | 60°           |
| LT13WR6L-03D | T13*29mm        | Red    | DC 14V | W2.1*9.5d | 31 ± 2mA            | 620-630         | 1.6lm          | 30K(h)       | 60°           |
| LT13WR6L-04D | T13*29mm        | Red    | DC 24V | W2.1*9.5d | 30 ± 2mA            | 620-630         | 1.5lm          | 30K(h)       | 60°           |
| LT13WR6L-05D | T13*29mm        | Red    | DC 28V | W2.1*9.5d | 30 ± 2mA            | 620-630         | 1.5lm          | 30K(h)       | 60°           |
| LT13WG6L-01D | T13*29mm        | Green  | DC 6V  | W2.1*9.5d | 29 ± 2mA            | 515-525         | 5.0lm          | 30K(h)       | 60°           |
| LT13WG6L-02D | T13*29mm        | Green  | DC 12V | W2.1*9.5d | 29 ± 2mA            | 515-525         | 5.0lm          | 30K(h)       | 60°           |
| LT13WG6L-03D | T13*29mm        | Green  | DC 14V | W2.1*9.5d | 29 ± 2mA            | 515-525         | 5.0lm          | 30K(h)       | 60°           |
| LT13WG6L-04D | T13*29mm        | Green  | DC 24V | W2.1*9.5d | 28 ± 2mA            | 515-525         | 5.0lm          | 30K(h)       | 60°           |
| LT13WG6L-05D | T13*29mm        | Green  | DC 28V | W2.1*9.5d | 29 ± 2mA            | 515-525         | 5.4lm          | 30K(h)       | 60°           |
| LT13WB6L-01D | T13*29mm        | Blue   | DC 6V  | W2.1*9.5d | 33 ± 2mA            | 465-475         | 2.8lm          | 30K(h)       | 60°           |
| LT13WB6L-02D | T13*29mm        | Blue   | DC 12V | W2.1*9.5d | 33 ± 2mA            | 465-475         | 2.9lm          | 30K(h)       | 60°           |
| LT13WB6L-03D | T13*29mm        | Blue   | DC 14V | W2.1*9.5d | 34 ± 2mA            | 465-475         | 2.9lm          | 30K(h)       | 60°           |
| LT13WB6L-04D | T13*29mm        | Blue   | DC 24V | W2.1*9.5d | 33 ± 2mA            | 465-475         | 2.8lm          | 30K(h)       | 60°           |
| LT13WB6L-05D | T13*29mm        | Blue   | DC 28V | W2.1*9.5d | 34 ± 2mA            | 465-475         | 2.9lm          | 30K(h)       | 60°           |
| LT13WY6L-01D | T13*29mm        | Yellow | DC 6V  | W2.1*9.5d | 35 ± 2mA            | 585-595         | 2.7lm          | 30K(h)       | 60°           |
| LT13WY6L-02D | T13*29mm        | Yellow | DC 12V | W2.1*9.5d | 35 ± 2mA            | 585-595         | 2.7lm          | 30K(h)       | 60°           |
| LT13WY6L-03D | T13*29mm        | Yellow | DC 14V | W2.1*9.5d | 36 ± 2mA            | 585-595         | 2.8lm          | 30K(h)       | 60°           |
| LT13WY6L-04D | T13*29mm        | Yellow | DC 24V | W2.1*9.5d | 35 ± 2mA            | 585-595         | 2.7lm          | 30K(h)       | 60°           |
| LT13WY6L-05D | T13*29mm        | Yellow | DC 28V | W2.1*9.5d | 36 ± 2mA            | 585-595         | 2.8lm          | 30K(h)       | 60°           |
| LT13WW6L-01D | T13*29mm        | White  | DC 6V  | W2.1*9.5d | 33 ± 2mA            | (K)5000-6000    | 10.2lm         | 30K(h)       | 60°           |
| LT13WW6L-02D | T13*29mm        | White  | DC 12V | W2.1*9.5d | 33 ± 2mA            | (K)5000-6000    | 10.4lm         | 30K(h)       | 60°           |
| LT13WW6L-03D | T13*29mm        | White  | DC 14V | W2.1*9.5d | 34 ± 2mA            | (K)5000-6000    | 10.4lm         | 30K(h)       | 60°           |
| LT13WW6L-04D | T13*29mm        | White  | DC 24V | W2.1*9.5d | 33 ± 2mA            | (K)5000-6000    | 10.1lm         | 30K(h)       | 60°           |
| LT13WW6L-05D | T13*29mm        | White  | DC 28V | W2.1*9.5d | 34 ± 2mA            | (K)5000-6000    | 10.4lm         | 30K(h)       | 60°           |

• Customer's Design are Acceptable whatever on the Lamp's Viewing Angle or Wave Length.

**Package**

Bulk..... 100 Pcs/Bag

Bulk..... 100 Pcs/Box

Bulk..... 20 Box/Carton

Bulk..... 10000 Pcs/Carton