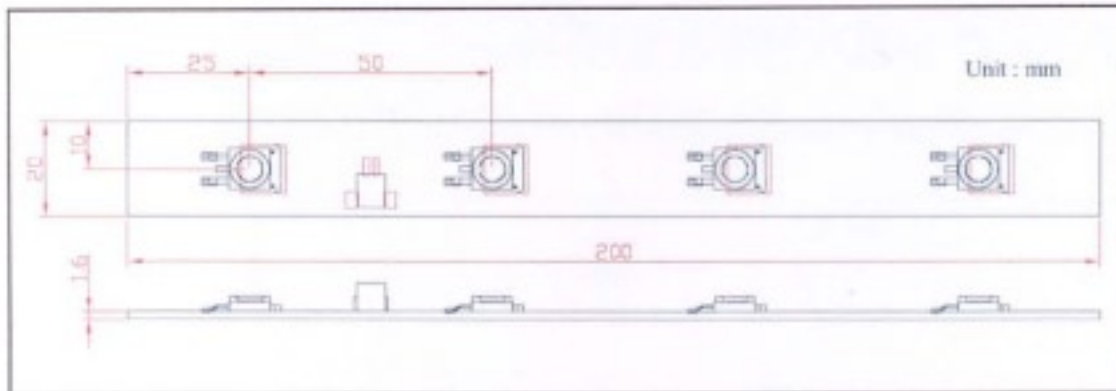


Type: LB-DD-4

Characters A: Epoxy Lens Color: Water Clear. Frosted.
 B: Bulb Shape: Dome. Flat.



Part Number and Description

Part Number	Color	Material	I _f (mA)	Flux(Lumens)		Forward Voltage(V)	
				Min	Typ	Typ	Max
LB-DD4R-300	Red	AllnGaP	300	50	72	8.8	11.2
LB-DD4A-300	Amber	AllnGaP	300	50	72	8.8	11.2
LB-DD4G-350	Green	InGaN	350	70	100	13.6	16.0
LB-DD4B-350	Blue	InGaN	350	10	32	13.6	16.0
LB-DD4W-350	White	InGaN	350	70	120	13.6	16.0

Precautions in handling

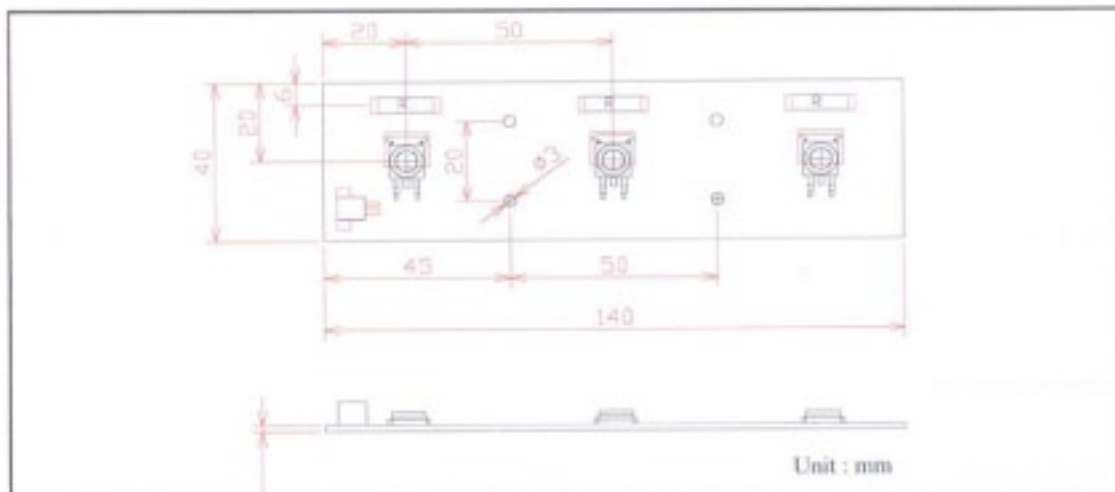
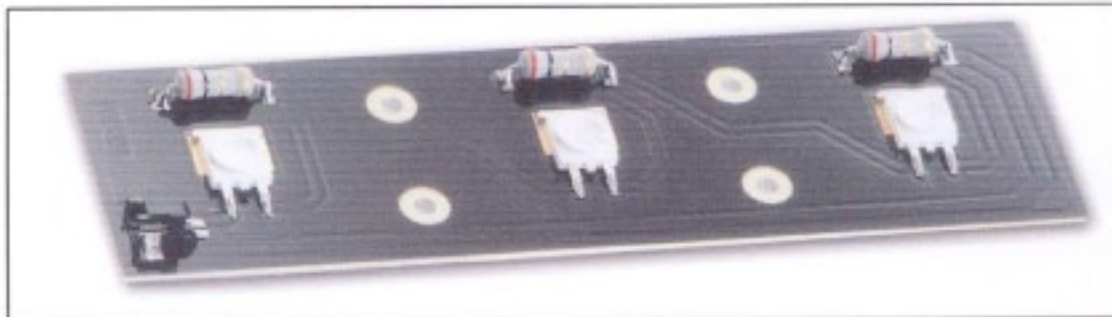
1. When soldering, leave 2.0mm of minimum clearance between the resin and the soldering point.
2. Blue, Green and White products are so sensitive to ESD, that users required to handle with care.
3. Customer's Design are available whatever on the Lamp's M.O.L.(Max. Of Length), Viewing Angle or Wave Length.

Package

- Bulk..... 10 Set/Bag
- Bulk..... 20 Set/Bag
- Bulk..... 100 Set/Box
- Bulk..... 200 Set/Carton

Type: LB-QD-3

Characters A: Epoxy Lens Color:Water Clear.Frosted.
 B: Bulb Shape:Dome.Flat.



Part Number and Description

Part Number	Color	Material	I _f (mA)	Flux(Lumens)		Forward Voltage(V)	
				Min	Typ	Typ	Max
LB-QD3R-300	Red	AllnGaP	300	40	54	6.6	8.4
LB-QD3A-300	Amber	AllnGaP	300	40	54	6.6	8.4
LB-QD3G-350	Green	InGaN	350	50	75	10.2	12.0
LB-QD3B-350	Blue	InGaN	350	8	24	10.2	12.0
LB-QD3W-350	White	InGaN	350	50	90	10.2	12.0

Precautions in handling

1. When soldering, leave 2.0mm of minimum clearance between the resin and the soldering point.
2. Blue, Green and White products are so sensitive to ESD, that users required to handle with care.
3. Customer's Design are available whatever on the Lamp's M.O.L. (Max. Of Length), Viewing Angle or Wave Length.

Package

- Bulk..... 10 Set/Bag
- Bulk..... 20 Set/Bag
- Bulk..... 100 Set/Box
- Bulk..... 200 Set/Carton

Type: LB-TD-12

Characters A: Epoxy Lens Color:Water Clear.Frosted.
 B: Bulb Shape:Dome.Flat.



Part Number and Description

Part Number	Color	Material	I _v (mA)	Flux(Lumens)		Forward Voltage(V)	
				Min	Typ	Typ	Max
LB-TD12R-600	Red	AllnGaP	600	160	216	13.2	16.8
LB-TD12A-600	Amber	AllnGaP	600	160	216	13.2	16.8
LB-TD12G-700	Green	InGaN	700	210	300	20.4	24.0
LB-TD12B-700	Blue	InGaN	700	30	96	20.4	24.0
LB-TD12W-700	White	InGaN	700	210	360	20.4	24.0

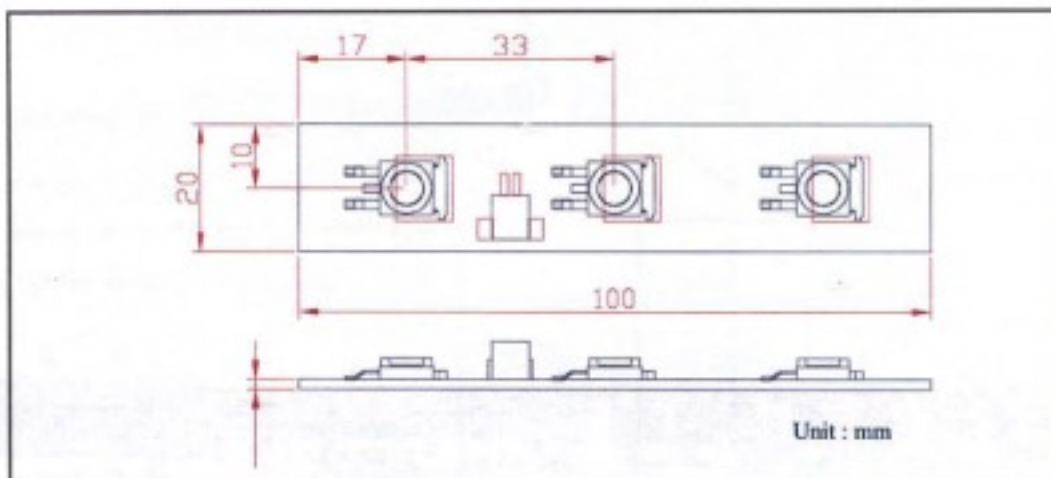
Precautions in handling Package

1. When soldering, leave 2.0mm of minimum clearance between the resin and the soldering point.
2. Blue, Green and White products are so sensitive to ESD, that users required to handle with care.
3. Customer's Design are Acceptable whatever on the Lamp's M.O.L. (Max. Of Length), Viewing Angle or Wave Length.

- Bulk..... 10 Set/Bag
- Bulk..... 20 Set/Bag
- Bulk..... 100 Set/Box
- Bulk..... 200 Set/Carton

Type: LB-SD-3

Characters A: Epoxy Lens Color:Water Clear.Frosted.
B: Bulb Shape:Dome.Flat.



Part Number and Description

Part Number	Color	Material	I _f (mA)	Flux(Lumens)		Forward Voltage(V)	
				Min	Typ	Typ	Max
LB-SD3R-300	Red	AllnGaP	300	40	54	6.6	8.4
LB-SD3A-300	Amber	AllnGaP	300	40	54	6.6	8.4
LB-SD3G-350	Green	InGaN	350	50	75	12.0	12.0
LB-SD3B-350	Blue	InGaN	350	8	24	12.0	12.0
LB-SD3W-350	White	InGaN	350	50	90	12.0	12.0

Precautions in handling

1. When soldering, leave 2.0mm of minimum clearance between the resin and the soldering point.
2. Blue, Green and White products are so sensitive to ESD, that users required to handle with care.
3. Customer's Design are available whatever on the Lamp's M.O.L. (Max. Of Length), Viewing Angle or Wave Length.

Package

- Bulk..... 10 Set/Bag
- Bulk..... 20 Set/Bag
- Bulk..... 100 Set/Box
- Bulk..... 200 Set/Carton