

LED T8 Wedge Base Lamp (Dome)

Type : L-T8 WD

Characters:

Epoxy Lens Color:Water Clear.Frosted.

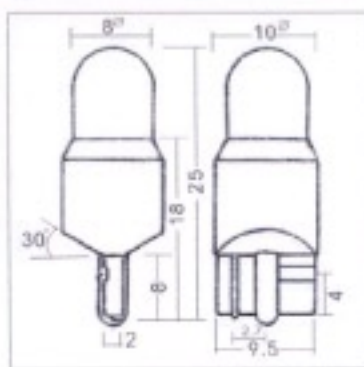
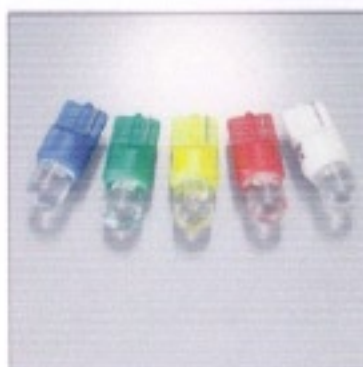
Color: Red. Green. Blue. Yellow. White.

Dia.& Length: T8*23mm.

Base: W2.1*9.5d

Bulb Shape :

Dome
Indicator. Instrument.Signal. Aircraft.



Part Number and Description

Part Number	Diameter Length	Color	Volts	Base	Design Current (mA)	Wave length(nm)	Lumens (M.c.d)	Life time(h)	Viewing Angle
LT8WRD-01D	T8*23mm	Red	DC 6V	W2.1*9.5d	17±2mA	620-630	0.7lm	30K(h)	35°
LT8WRD-02D	T8*23mm	Red	DC 12V	W2.1*9.5d	17±2mA	620-630	0.7lm	30K(h)	35°
LT8WRD-03D	T8*23mm	Red	DC 14V	W2.1*9.5d	18±2mA	620-630	0.8lm	30K(h)	35°
LT8WRD-04D	T8*23mm	Red	DC 24V	W2.1*9.5d	17±2mA	620-630	0.7lm	30K(h)	35°
LT8WRD-05D	T8*23mm	Red	DC 28V	W2.1*9.5d	18±2mA	620-630	0.8lm	30K(h)	35°
LT8WGD-01D	T8*23mm	Green	DC 6V	W2.1*9.5d	16±2mA	515-525	1.8lm	30K(h)	35°
LT8WGD-02D	T8*23mm	Green	DC 12V	W2.1*9.5d	16±2mA	515-525	1.8lm	30K(h)	35°
LT8WGD-03D	T8*23mm	Green	DC 14V	W2.1*9.5d	17±2mA	515-525	1.9lm	30K(h)	35°
LT8WGD-04D	T8*23mm	Green	DC 24V	W2.1*9.5d	16±2mA	515-525	1.8lm	30K(h)	35°
LT8WGD-05D	T8*23mm	Green	DC 28V	W2.1*9.5d	17±2mA	515-525	1.8lm	30K(h)	35°
LT8WBD-01D	T8*23mm	Blue	DC 6V	W2.1*9.5d	16±2mA	465-475	0.4lm	30K(h)	35°
LT8WBD-02D	T8*23mm	Blue	DC 12V	W2.1*9.5d	17±2mA	465-475	0.4lm	30K(h)	35°
LT8WBD-03D	T8*23mm	Blue	DC 14V	W2.1*9.5d	17±2mA	465-475	0.4lm	30K(h)	35°
LT8WBD-04D	T8*23mm	Blue	DC 24V	W2.1*9.5d	17±2mA	465-475	0.4lm	30K(h)	35°
LT8WBD-05D	T8*23mm	Blue	DC 28V	W2.1*9.5d	18±2mA	465-475	0.5lm	30K(h)	35°
LT8WYD-01D	T8*23mm	Yellow	DC 6V	W2.1*9.5d	17±2mA	585-595	0.4lm	30K(h)	35°
LT8WYD-02D	T8*23mm	Yellow	DC 12V	W2.1*9.5d	17±2mA	585-595	0.3lm	30K(h)	35°
LT8WYD-03D	T8*23mm	Yellow	DC 14V	W2.1*9.5d	18±2mA	585-595	0.4lm	30K(h)	35°
LT8WYD-04D	T8*23mm	Yellow	DC 24V	W2.1*9.5d	17±2mA	585-595	0.3lm	30K(h)	35°
LT8WYD-05D	T8*23mm	Yellow	DC 28V	W2.1*9.5d	18±2mA	585-595	0.4lm	30K(h)	35°
LT8WWD-01D	T8*23mm	White	DC 6V	W2.1*9.5d	16±2mA	(K)5000-8000	2.4lm	30K(h)	35°
LT8WWD-02D	T8*23mm	White	DC 12V	W2.1*9.5d	16±2mA	(K)5000-8000	2.4lm	30K(h)	35°
LT8WWD-03D	T8*23mm	White	DC 14V	W2.1*9.5d	17±2mA	(K)5000-8000	2.5lm	30K(h)	35°
LT8WWD-04D	T8*23mm	White	DC 24V	W2.1*9.5d	16±2mA	(K)5000-8000	2.4lm	30K(h)	35°
LT8WWD-05D	T8*23mm	White	DC 28V	W2.1*9.5d	17±2mA	(K)5000-8000	2.5lm	30K(h)	35°

• Customer's Design are Acceptable whatever on the Lamp's Viewing Angle or Wave Length.

Package

Bulk..... 100 Pcs/Bag

Bulk..... 100 Pcs/Box

Bulk..... 20 Box/Carton

Bulk..... 10000 Pcs/Carton