



## Advanced Micro Lites, Inc.

205 Dempsey Street, Elburn, IL 60119

630-365-5450 tel

630-365-5456 fax

www.advmicrolites.com

### L513B-NWC30D

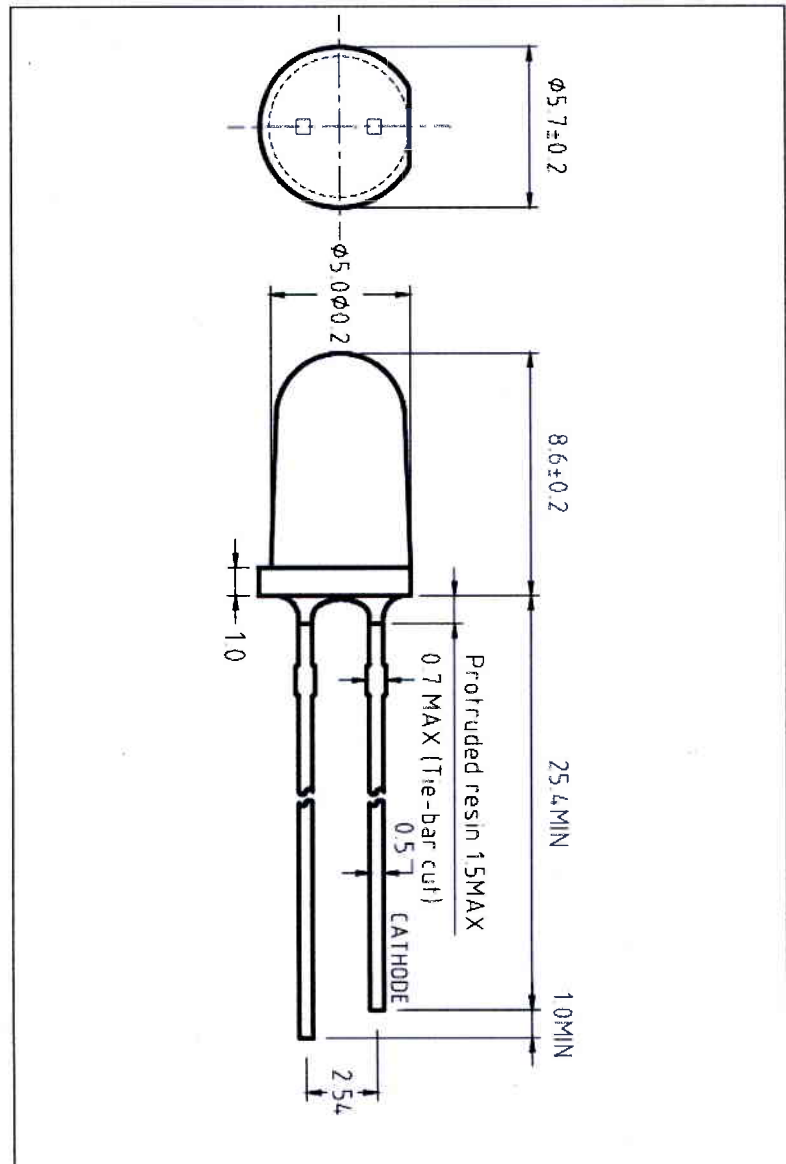
5mm White Super Bright LED

## DESCRIPTION

- Super Bright LED Lamp
- Round Type
- 5mm Diameter
- Lens color: Water Clear
- With flange
- Solder leads without stand off

## FEATURE

- Emitter color: White
- High luminous intensity
- Technology: InGaN
- Viewing Angle: 30 Degree



### ATTENTION

OBSERVE PRECAUTIONS  
ELECTROSTATIC  
SENSITIVE DEVICES

Part Number	Chip	Emitter Color	Viewing Angle	Luminous Intensity If = 20mA (mcd)
L513B-NWC30D	InGaN	White	30°	7500 typ.



## Advanced Micro Lites, Inc.

205 Dempsey Street, Elburn, IL 60119  
630-365-5450 tel  
630-365-5456 fax  
www.advmicrolites.com

### L513B-NWC30D 5mm White Super Bright LED

#### ABSOLUTE MAXIMUM RATINGS

(Ta=25°C)

Parameter	Symbol	Max Rating	Unit
Power Dissipation	P <sub>D</sub>	108	mW
Peak Forward Current (1/10 Duty Cycle @1KHz )	I <sub>PF</sub>	100	mA
Continuous Forward Current	I <sub>F</sub>	30	mA
Reverse Voltage	V <sub>R</sub>	5	V
Operating Temperature Range	T <sub>OPR</sub>	-25 ~ +85	°C
Storage Temperature Range	T <sub>STG</sub>	-35 ~ +100	°C

Solder temperature 3mm from body for 5 seconds at 260°C

#### OPTICAL-ELECTRICAL CHARACTERISTICS

Parameter	Symbol	Test Condition	Min	Typ	Max	Unit
Luminous Intensity	I <sub>v</sub>	I <sub>F</sub> = 20mA	5000	7500		mcd
Forward Voltage	V <sub>F</sub>			3.2	3.6	V
Reverse Current	I <sub>R</sub>	V <sub>R</sub> = 5V			50	μA
Viewing Angle	2θ <sub>1/2</sub>	I <sub>F</sub> = 20mA		30		deg.
Chromaticity Coordinate	X	I <sub>F</sub> = 20mA		0.31		
Chromaticity Coordinate	y	I <sub>F</sub> = 20mA		0.32		

- Measurement Uncertainty of Luminous Intensity: ±10%  
Please refer to CIE 1931 Chromaticity diagram.



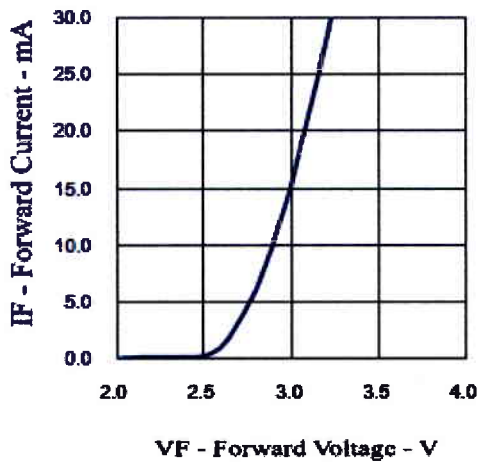
# Advanced Micro Lites, Inc.

205 Dempsey Street, Elburn, IL 60119  
630-365-5450 tel  
630-365-5456 fax  
www.advmicrolites.com

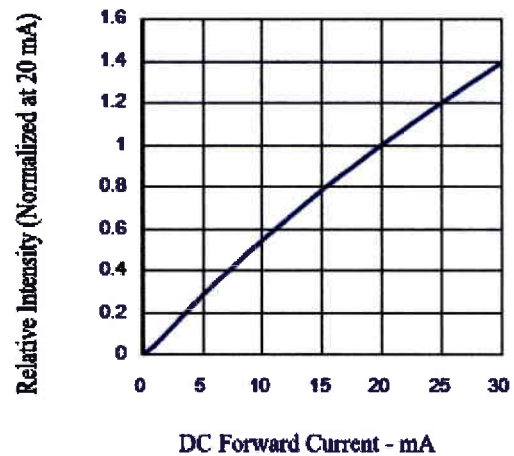
## L513B-NWC30D 5mm White Super Bright LED

### TYPICAL ELECTRO-OPTICAL CHARACTERISTIC CURVES

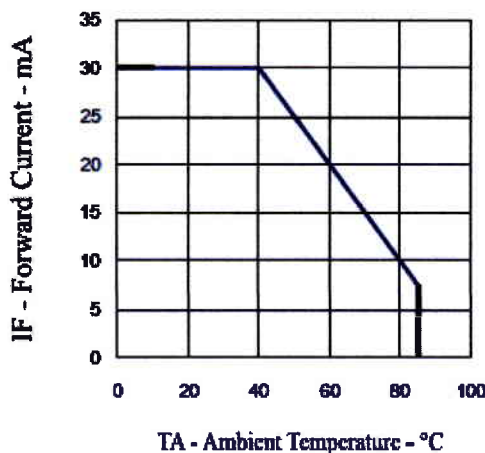
Forward Current vs. Forward Voltage



Relative Intensity vs. Forward Current



Forward Current vs. Ambient Temperature



Relative Intensity vs. Wavelength

