

**Type:** L-T10 WD

**Characters:**

Epoxy Lens Color: Water Clear. Frosted.

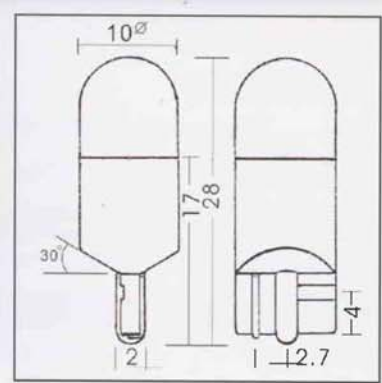
**Color:** Red. Green. Blue. Amber. White.

**Dia. & Length:** **Base:**

T10\*28mm. W2.1\*9.5d

**Bulb Shape:** **For:**

Dome Indicator. Signal. Auto Instrument. Aircraft.



**Part Number and Description**

Part Number	Diameter Length	Color	Volts	Base	Design Current (mA)	Wave length(nm)	Lumens (M.c.d)	Life time(h)	Viewing Angle
LT10W-RD-01D	T10*28mm	Red	DC 6V	W2.1*9.5d	17 ± 2mA	620-630	0.7lm	30K(h)	45°
LT10W-RD-02D	T10*28mm	Red	DC 12V	W2.1*9.5d	17 ± 2mA	620-630	0.7lm	30K(h)	45°
LT10W-RD-03D	T10*28mm	Red	DC 24V	W2.1*9.5d	17 ± 2mA	620-630	0.7lm	30K(h)	45°
LT10W-RD-04D	T10*28mm	Red	DC 28V	W2.1*9.5d	18 ± 2mA	620-630	0.75lm	30K(h)	45°
LT10W-GD-01D	T10*28mm	Green	DC 6V	W2.1*9.5d	16 ± 2mA	515-525	2.0lm	30K(h)	45°
LT10W-GD-02D	T10*28mm	Green	DC 12V	W2.1*9.5d	16 ± 2mA	515-525	2.0lm	30K(h)	45°
LT10W-GD-03D	T10*28mm	Green	DC 24V	W2.1*9.5d	16 ± 2mA	515-525	2.0lm	30K(h)	45°
LT10W-GD-04D	T10*28mm	Green	DC 28V	W2.1*9.5d	17 ± 2mA	515-525	2.0lm	30K(h)	45°
LT10W-BD-01D	T10*28mm	Blue	DC 6V	W2.1*9.5d	17 ± 2mA	465-475	0.9lm	30K(h)	45°
LT10W-BD-02D	T10*28mm	Blue	DC 12V	W2.1*9.5d	17 ± 2mA	465-475	0.9lm	30K(h)	45°
LT10W-BD-03D	T10*28mm	Blue	DC 24V	W2.1*9.5d	17 ± 2mA	465-475	0.9lm	30K(h)	45°
LT10W-BD-04D	T10*28mm	Blue	DC 28V	W2.1*9.5d	18 ± 2mA	465-475	0.9lm	30K(h)	45°
LT10W-AD-01D	T10*28mm	Amber	DC 6V	W2.1*9.5d	17 ± 2mA	590-600	0.6lm	30K(h)	45°
LT10W-AD-02D	T10*28mm	Amber	DC 12V	W2.1*9.5d	17 ± 2mA	590-600	0.6lm	30K(h)	45°
LT10W-AD-03D	T10*28mm	Amber	DC 24V	W2.1*9.5d	17 ± 2mA	590-600	0.6lm	30K(h)	45°
LT10W-AD-04D	T10*28mm	Amber	DC 28V	W2.1*9.5d	18 ± 2mA	590-600	0.65lm	30K(h)	45°
LT10W-WD-01D	T10*28mm	White	DC 6V	W2.1*9.5d	16 ± 2mA	(K)5000-6000	2.9lm	30K(h)	45°
LT10W-WD-02D	T10*28mm	White	DC 12V	W2.1*9.5d	16 ± 2mA	(K)5000-6000	2.9lm	30K(h)	45°
LT10W-WD-03D	T10*28mm	White	DC 24V	W2.1*9.5d	16 ± 2mA	(K)5000-6000	2.9lm	30K(h)	45°
LT10W-WD-04D	T10*28mm	White	DC 28V	W2.1*9.5d	17 ± 2mA	(K)5000-6000	2.9lm	30K(h)	45°

**Precautions in handling**

1. Blue, Green, and White products are so sensitive to ESD that user's require to handle with care.
2. Customer designs are acceptable on the Lamp's M.O.L (Max of Length) Viewing Angle and/or Wave Length.

**Package (Box)**

- Bulk..... 100 Pcs/Box
- Bulk..... 20 Box/M.Carton
- Bulk..... 4000 Pcs/Carton

**Package (Anti-Static Bag)**