

Type : **L-T11W-4L**

Characters:

Epoxy Lens Color: Water Clear.Frosted.

Color: Red. Green. Blue. Amber. White.

Dia & Length:

T11*27mm.

Base:

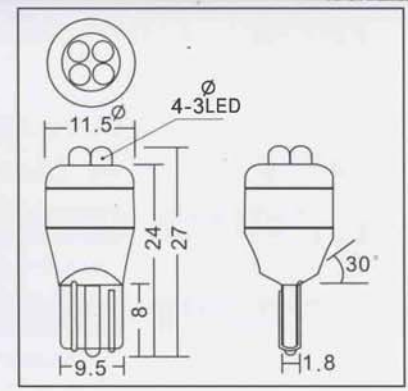
W2.1*9.5d

Bulb Shape :

Dome-4L

For:

Indicator. Signal.Auto
Instrument.Aircraft.Courtesy.



Part Number and Description

Part Number	Diameter Length	Color	Volts	Base	Design Current (mA)	Wave length(nm)	Lumens	Life time(h)	Viewing Angle
LT11W-R4D-01D	T11*27mm	Red	DC 6V	W2.1*9.5d	29±2mA	620-630	1.3lm	30K(h)	60°
LT11W-R4D-02D	T11*27mm	Red	DC 12V	W2.1*9.5d	29±2mA	620-630	1.3lm	30K(h)	60°
LT11W-R4D-03D	T11*27mm	Red	DC 24V	W2.1*9.5d	29±2mA	620-630	1.3lm	30K(h)	60°
LT11W-R4D-04D	T11*27mm	Red	DC 28V	W2.1*9.5d	30±2mA	620-630	1.4lm	30K(h)	60°
LT11W-G4D-01D	T11*27mm	Green	DC 6V	W2.1*9.5d	28±2mA	515-525	6.5lm	30K(h)	60°
LT11W-G4D-02D	T11*27mm	Green	DC 12V	W2.1*9.5d	28±2mA	515-525	6.6lm	30K(h)	60°
LT11W-G4D-03D	T11*27mm	Green	DC 24V	W2.1*9.5d	28±2mA	515-525	6.6lm	30K(h)	60°
LT11W-G4D-04D	T11*27mm	Green	DC 28V	W2.1*9.5d	29±2mA	515-525	6.7lm	30K(h)	60°
LT11W-B4D-01D	T11*27mm	Blue	DC 6V	W2.1*9.5d	28±2mA	465-475	1.6lm	30K(h)	60°
LT11W-B4D-02D	T11*27mm	Blue	DC 12V	W2.1*9.5d	29±2mA	465-475	1.7lm	30K(h)	60°
LT11W-B4D-03D	T11*27mm	Blue	DC 24V	W2.1*9.5d	29±2mA	465-475	1.7lm	30K(h)	60°
LT11W-B4D-04D	T11*27mm	Blue	DC 28V	W2.1*9.5d	30±2mA	465-475	1.8lm	30K(h)	60°
LT11W-A4D-01D	T11*27mm	Amber	DC 6V	W2.1*9.5d	31±2mA	590-600	1.8lm	30K(h)	60°
LT11W-A4D-02D	T11*27mm	Amber	DC 12V	W2.1*9.5d	31±2mA	590-600	1.8lm	30K(h)	60°
LT11W-A4D-03D	T11*27mm	Amber	DC 24V	W2.1*9.5d	31±2mA	590-600	1.9lm	30K(h)	60°
LT11W-A4D-04D	T11*27mm	Amber	DC 28V	W2.1*9.5d	32±2mA	590-600	2lm	30K(h)	60°
LT11W-W4D-01D	T11*27mm	White	DC 6V	W2.1*9.5d	30±2mA	(K)5000-6000	6.9lm	30K(h)	60°
LT11W-W4D-02D	T11*27mm	White	DC 12V	W2.1*9.5d	30±2mA	(K)5000-6000	7.2lm	30K(h)	60°
LT11W-W4D-03D	T11*27mm	White	DC 24V	W2.1*9.5d	30±2mA	(K)5000-6000	7.2lm	30K(h)	60°
LT11W-W4D-04D	T11*27mm	White	DC 28V	W2.1*9.5d	31±2mA	(K)5000-6000	7.3lm	30K(h)	60°

Precautions in handling

1. Blue, Green, and White products are so sensitive to ESD that user's require to handle with care.
2. Customer designs are acceptable on the Lamp's M.O.L (Max of Length) Viewing Angle and/or Wave Length.

Package (Box)

- Bulk..... 100 Pcs/Box
- Bulk..... 20 Box/M. Carton
- Bulk..... 4000 Pcs/Carton