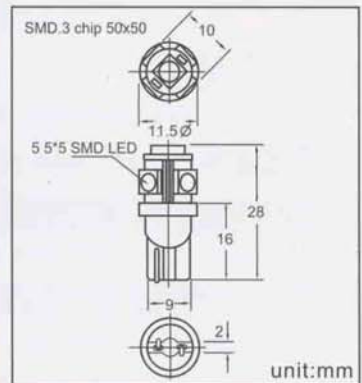


**Type: L-T11W-SMD-3C5****Characters:**

Epoxy Lens Color: Water Clear. Frosted.

**Color:** Red. Green. Blue. Amber. White.**Dia. & Length:** **Base:**

T11\*28mm. W2.1\*9.5d

**Bulb Shape:** **For:**PCB-3 chip x 5P Indicator. Auto. Instrument  
Signal. Map. Courtesy.**Part Number and Description**

Part Number	Diameter Length	Color	Volts	Base	Current (mA)±10%	Wave length(nm)	Lumens (lm)±20%	Life time(h)	Viewing Angle
LT11W-R3C5-02D	T11x28mm	Red	DC 12V	W2.1*9.5d	38mA	620-630	9 lm	30K(h)	300°
LT11W-R3C5-03D	T11x28mm	Red	DC 24V	W2.1*9.5d	36mA	620-630	9 lm	30K(h)	300°
LT11W-R3C5-04D	T11x28mm	Red	DC 28V	W2.1*9.5d	38mA	620-630	9 lm	30K(h)	300°
LT11W-G3C5-02D	T11x28mm	Green	DC 12V	W2.1*9.5d	32mA	515-525	16 lm	30K(h)	300°
LT11W-G3C5-03D	T11x28mm	Green	DC 24V	W2.1*9.5d	30mA	515-525	15 lm	30K(h)	300°
LT11W-G3C5-04D	T11x28mm	Green	DC 28V	W2.1*9.5d	32mA	515-525	16 lm	30K(h)	300°
LT11W-B3C5-02D	T11x28mm	Blue	DC 12V	W2.1*9.5d	34mA	465-475	5 lm	30K(h)	300°
LT11W-B3C5-03D	T11x28mm	Blue	DC 24V	W2.1*9.5d	32mA	465-475	5 lm	30K(h)	300°
LT11W-B3C5-04D	T11x28mm	Blue	DC 28V	W2.1*9.5d	34mA	465-475	5 lm	30K(h)	300°
LT11W-A3C5-02D	T11x28mm	Amber	DC 12V	W2.1*9.5d	37mA	590-600	7 lm	30K(h)	300°
LT11W-A3C5-03D	T11x28mm	Amber	DC 24V	W2.1*9.5d	35mA	590-600	6 lm	30K(h)	300°
LT11W-A3C5-04D	T11x28mm	Amber	DC 28V	W2.1*9.5d	38mA	590-600	7 lm	30K(h)	300°
LT11W-W3C5-02D	T11x28mm	White	DC 12V	W2.1*9.5d	35mA	(K)5000-6000	23 lm	30K(h)	300°
LT11W-W3C5-03D	T11x28mm	White	DC 24V	W2.1*9.5d	35mA	(K)5000-6000	23 lm	30K(h)	300°
LT11W-W3C5-04D	T11x28mm	White	DC 28V	W2.1*9.5d	36mA	(K)5000-6000	23 lm	30K(h)	300°

**Precautions in handling**

1. Blue, Green, and White products are so sensitive to ESD that user's require to handle with care.
2. Customer designs are acceptable on the Lamp's M.O.L (Max of Length) Viewing Angle and/or Wave Length.

**Package (Box)**

Bulk..... 100 Pcs/Box  
 Bulk..... 20 Box/M. Carton  
 Bulk..... 4000 Pcs/ Carton

**Package (Anti-Static Bag)**

Bulk..... 100 Pcs/Bag