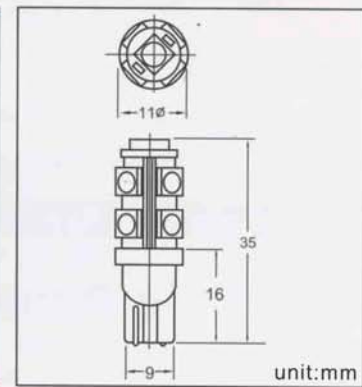


Type : L-T11W-SMD-3C9**Characters :**

Epoxy Lens Color:Water Clear.Frosted.

Color : Red. Green. Blue. Amber. White.**Dia. & Length :** T11*35mm. **Base :** W2.1*9.5d**Bulb Shape :** PCB-3 chip x 9P **For :** Indicator. Auto. Instrument
Signal. Map. Courtesy.**Part Number and Description**

Part Number	Diameter Length	Color	Volts	Base	Current (mA)±10%	Wave length(nm)	Lumens (lm)±20%	Life time(h)	Viewing Angle
LT11W-R3C9-02D	T11x35mm	Red	DC 12V	W2.1*9.5d	76mA	620-630	19 lm	30K(h)	300°
LT11W-R3C9-03D	T11x35mm	Red	DC 24V	W2.1*9.5d	75mA	620-630	19 lm	30K(h)	300°
LT11W-R3C9-04D	T11x35mm	Red	DC 28V	W2.1*9.5d	75mA	620-630	18 lm	30K(h)	300°
LT11W-G3C9-02D	T11x35mm	Green	DC 12V	W2.1*9.5d	73mA	515-525	62 lm	30K(h)	300°
LT11W-G3C9-03D	T11x35mm	Green	DC 24V	W2.1*9.5d	72mA	515-525	60 lm	30K(h)	300°
LT11W-G3C9-04D	T11x35mm	Green	DC 28V	W2.1*9.5d	72mA	515-525	60 lm	30K(h)	300°
LT11W-B3C9-02D	T11x35mm	Blue	DC 12V	W2.1*9.5d	79mA	465-475	11 lm	30K(h)	300°
LT11W-B3C9-03D	T11x35mm	Blue	DC 24V	W2.1*9.5d	77mA	465-475	11 lm	30K(h)	300°
LT11W-B3C9-04D	T11x35mm	Blue	DC 28V	W2.1*9.5d	75mA	465-475	11 lm	30K(h)	300°
LT11W-A3C9-02D	T11x35mm	Amber	DC 12V	W2.1*9.5d	74mA	590-600	14 lm	30K(h)	300°
LT11W-A3C9-03D	T11x35mm	Amber	DC 24V	W2.1*9.5d	72mA	590-600	14 lm	30K(h)	300°
LT11W-A3C9-04D	T11x35mm	Amber	DC 28V	W2.1*9.5d	72mA	590-600	14 lm	30K(h)	300°
LT11W-W3C9-02D	T11x35mm	White	DC 12V	W2.1*9.5d	75mA	(K)5000-6000	53 lm	30K(h)	300°
LT11W-W3C9-03D	T11x35mm	White	DC 24V	W2.1*9.5d	73mA	(K)5000-6000	53 lm	30K(h)	300°
LT11W-W3C9-04D	T11x35mm	White	DC 28V	W2.1*9.5d	73mA	(K)5000-6000	53 lm	30K(h)	300°

Precautions in handling

- 1.Blue, Green, and White products are so sensitive to ESD that user's require to handle with care.
- 2.Customer designs are acceptable on the Lamp's M.O.L (Max of Length) Viewing Angle and/or Wave Length.

Package (Box)

Bulk..... 100 Pcs/Box
 Bulk..... 20 Box/M.Carton
 Bulk..... 4000 Pcs/Carton

Package (Anti-Static Bag)

Bulk..... 100 Pcs/Bag