

Type : L-T15W-9L

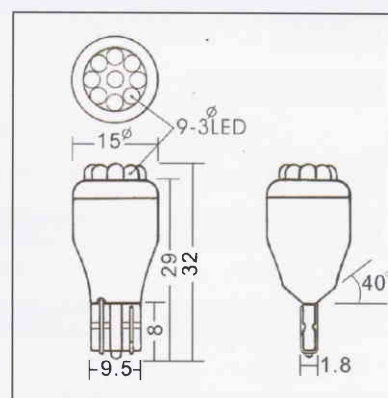
Characters:

Epoxy Lens Color:Water Clear.Frosted.

Color: Red. Green. Blue. Amber. White.

Dia & Length: T15*32mm.
Base: W2.1*9.5d

Bulb Shape : Dome-9L
For: Indicator.Auto. Instrument.
Signal. Aircraft.



Part Number and Description

Part Number	Diameter Length	Color	Volts	Base	Design Current (mA)	Wave length(nm)	Lumens (M.c.d)	Life time(h)	Viewing Angle
LT15W-R9D-01D	T15*32mm	Red	DC 6V	W2.1*9.5d	48 ± 2mA	620-630	3lm	30K(h)	60°
LT15W-R9D-02D	T15*32mm	Red	DC 12V	W2.1*9.5d	48 ± 2mA	620-630	3lm	30K(h)	60°
LT15W-R9D-03D	T15*32mm	Red	DC 24V	W2.1*9.5d	49 ± 2mA	620-630	3lm	30K(h)	60°
LT15W-R9D-04D	T15*32mm	Red	DC 28V	W2.1*9.5d	50 ± 2mA	620-630	3.2lm	30K(h)	60°
LT15W-G9D-01D	T15*32mm	Green	DC 6V	W2.1*9.5d	54 ± 2mA	515-525	14lm	30K(h)	60°
LT15W-G9D-02D	T15*32mm	Green	DC 12V	W2.1*9.5d	54 ± 2mA	515-525	15lm	30K(h)	60°
LT15W-G9D-03D	T15*32mm	Green	DC 24V	W2.1*9.5d	54 ± 2mA	515-525	15lm	30K(h)	60°
LT15W-G9D-04D	T15*32mm	Green	DC 28V	W2.1*9.5d	55 ± 2mA	515-525	15lm	30K(h)	60°
LT15W-B9D-01D	T15*32mm	Blue	DC 6V	W2.1*9.5d	50 ± 2mA	465-475	4.4lm	30K(h)	60°
LT15W-B9D-02D	T15*32mm	Blue	DC 12V	W2.1*9.5d	50 ± 2mA	465-475	4.5lm	30K(h)	60°
LT15W-B9D-03D	T15*32mm	Blue	DC 24V	W2.1*9.5d	50 ± 2mA	465-475	4.5lm	30K(h)	60°
LT15W-B9D-04D	T15*32mm	Blue	DC 28V	W2.1*9.5d	52 ± 2mA	465-475	4.6lm	30K(h)	60°
LT15W-A9D-01D	T15*32mm	Amber	DC 6V	W2.1*9.5d	39 ± 2mA	590-600	4.3lm	30K(h)	60°
LT15W-A9D-02D	T15*32mm	Amber	DC 12V	W2.1*9.5d	40 ± 2mA	590-600	4.4lm	30K(h)	60°
LT15W-A9D-03D	T15*32mm	Amber	DC 24V	W2.1*9.5d	40 ± 2mA	590-600	4.4lm	30K(h)	60°
LT15W-A9D-04D	T15*32mm	Amber	DC 28V	W2.1*9.5d	42 ± 2mA	590-600	4.5lm	30K(h)	60°
LT15W-W9D-01D	T15*32mm	White	DC 6V	W2.1*9.5d	48 ± 2mA	(K)5000-6000	16lm	30K(h)	60°
LT15W-W9D-02D	T15*32mm	White	DC 12V	W2.1*9.5d	49 ± 2mA	(K)5000-6000	16lm	30K(h)	60°
LT15W-W9D-03D	T15*32mm	White	DC 24V	W2.1*9.5d	48 ± 2mA	(K)5000-6000	15lm	30K(h)	60°
LT15W-W9D-04D	T15*32mm	White	DC 28V	W2.1*9.5d	49 ± 2mA	(K)5000-6000	16lm	30K(h)	60°

Precautions in handling

- 1.Blue, Green, and White products are so sensitive to ESD that user's require to handle with care.
- 2.Customer designs are acceptable on the Lamp's M.O.L (Max of Length) Viewing Angle and/or Wave Length.

Package (Box)

- Bulk..... 100 Pcs/Box
 Bulk..... 20 Box/M.Carton
 Bulk..... 4000 Pcs/Carton

Package (Anti-Static Bag)