

**Type :** L- T2(T6.8) PSB.

**Characters:**

Epoxy Lens Color: Water Clear.Frosted.

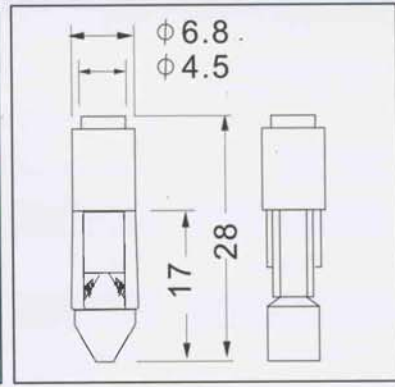
**Color:** Red. Green. Blue.Amber. White.

**Dia & Length:** **Base:**

T6.8\*28mm. PSB . NO: 5.

**Bulb Shape :** **For:**

Dome. Flat. Telephone. Indicator.



**Part Number and Description**

Part Number	Diameter Length	Color	Volts	Base	Current (mA)±15%	Wave length(nm)	Lumens (lm)±20%	Life time(h)	Viewing Angle
LPSB-RF-01A	T6.8*28mm	Red	AC 6V	PSB	17mA	620-630	0.8lm	30K(h)	65°
LPSB-RF-02A	T6.8*28mm	Red	AC 12V	PSB	17mA	620-630	0.8lm	30K(h)	65°
LPSB-RF-03A	T6.8*28mm	Red	AC 24V	PSB	14mA	620-630	0.6lm	30K(h)	65°
LPSB-RF-04A	T6.8*28mm	Red	AC 28V	PSB	16mA	620-630	0.8lm	30K(h)	65°
LPSB-RF-06A	T6.8*28mm	Red	AC 48V	PSB	14mA	620-630	0.6lm	30K(h)	65°
LPSB-RF-07A	T6.8*28mm	Red	AC 60V	PSB	8mA	620-630	0.4lm	30K(h)	65°
LPSB-RF-08A-1	T6.8*28mm	Red	AC120V	PSB	4.5mA	620-630	0.2lm	30K(h)	65°
LPSB-GF-01A	T6.8*28mm	Green	AC 6V	PSB	17mA	515-525	1.7lm	30K(h)	65°
LPSB-GF-02A	T6.8*28mm	Green	AC 12V	PSB	17mA	515-525	1.7lm	30K(h)	65°
LPSB-GF-03A	T6.8*28mm	Green	AC 24V	PSB	14mA	515-525	1.8lm	30K(h)	65°
LPSB-GF-04A	T6.8*28mm	Green	AC 28V	PSB	17mA	515-525	1.8lm	30K(h)	65°
LPSB-GF-06A	T6.8*28mm	Green	AC 48V	PSB	12mA	515-525	1.4lm	30K(h)	65°
LPSB-GF-07A	T6.8*28mm	Green	AC 60V	PSB	8mA	515-525	1.0lm	30K(h)	65°
LPSB-GF-08A-1	T6.8*28mm	Green	AC120V	PSB	4.mA	515-525	0.6lm	30K(h)	65°
LPSB-BF-01A	T6.8*28mm	Blue	AC 6V	PSB	17mA	465-475	0.5lm	30K(h)	65°
LPSB-BF-02A	T6.8*28mm	Blue	AC 12V	PSB	16mA	465-475	0.5lm	30K(h)	65°
LPSB-BF-03A	T6.8*28mm	Blue	AC 24V	PSB	15mA	465-475	0.5lm	30K(h)	65°
LPSB-BF-04A	T6.8*28mm	Blue	AC 28V	PSB	17mA	465-475	0.4lm	30K(h)	65°
LPSB-BF-06A	T6.8*28mm	Blue	AC 48V	PSB	12mA	465-475	0.3lm	30K(h)	65°
LPSB-BF-07A	T6.8*28mm	Blue	AC 60V	PSB	8mA	465-475	0.2lm	30K(h)	65°
LPSB-BF-08A-1	T6.8*28mm	Blue	AC120V	PSB	5mA	465-475	0.2lm	30K(h)	65°
LPSB-AF-01A	T6.8*28mm	Amber	AC 6V	PSB	17mA	590-600	0.6lm	30K(h)	65°
LPSB-AF-02A	T6.8*28mm	Amber	AC 12V	PSB	17mA	590-600	0.6lm	30K(h)	65°
LPSB-AF-03A	T6.8*28mm	Amber	AC 24V	PSB	15mA	590-600	0.5lm	30K(h)	65°
LPSB-AF-04A	T6.8*28mm	Amber	AC 28V	PSB	16mA	590-600	0.4lm	30K(h)	65°
LPSB-AF-06A	T6.8*28mm	Amber	AC 48V	PSB	13mA	590-600	0.3lm	30K(h)	65°
LPSB-AF-07A	T6.8*28mm	Amber	AC 60V	PSB	8mA	590-600	0.3lm	30K(h)	65°
LPSB-AF-08A-1	T6.8*28mm	Amber	AC120V	PSB	4.5mA	590-600	0.2lm	30K(h)	65°
LPSB-WF-01A	T6.8*28mm	White	AC 6V	PSB	16mA	(K)5000-6000	2.3lm	30K(h)	65°
LPSB-WF-02A	T6.8*28mm	White	AC 12V	PSB	16mA	(K)5000-6000	2.3lm	30K(h)	65°
LPSB-WF-03A	T6.8*28mm	White	AC 24V	PSB	14mA	(K)5000-6000	2.2lm	30K(h)	65°
LPSB-WF-04A	T6.8*28mm	White	AC 28V	PSB	15mA	(K)5000-6000	2.1lm	30K(h)	65°
LPSB-WF-06A	T6.8*28mm	White	AC 48V	PSB	12mA	(K)5000-6000	1.8lm	30K(h)	65°
LPSB-WF-07A	T6.8*28mm	White	AC 60V	PSB	6mA	(K)5000-6000	1.2lm	30K(h)	65°
LPSB-WF-08A-1	T6.8*28mm	White	AC120V	PSB	4.5mA	(K)5000-6000	0.9lm	30K(h)	65°

**Package (Box)**

Bulk..... 100 Pcs/Box  
 Bulk..... 25 Box/M.Carton  
 Bulk..... 5000 Pcs/Carton

**Package (Anti-Static Bag)**

Bulk..... 100 Pcs/Bag  
 Bulk..... 20 Bag/Box  
 Bulk..... 4000 Pcs/Carton

Design Current Will be a difference depends on the Vf value of LED bulb.

Copy Right