

Type : L-T6MF-SD

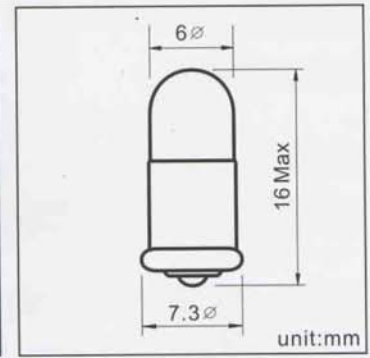
Characters :

Epoxy Lens Color:Water Clear.Frosted.

Color : Red. Green. Blue. Amber. White.

Dia. & Length : T6*16mm.
Base : F6

Bulb Shape : Single-Dome
For : Indicator. Aircraft. Toy. Auto



Part Number and Description

Part Number	Diameter Length	Color	Volts	Base	Design Current (mA)	Wave length(nm)	Lumens (M.c.d)	Life time(h)	Viewing Angle
LT6MF6-RD-01D	T6*16mm	Red	DC 6V	F6	20±2mA	620-630	0.7 lm	30K(h)	95°
LT6MF6-RD-02D	T6*16mm	Red	DC 12V	F6	20±2mA	620-630	0.7 lm	30K(h)	95°
LT6MF6-RD-03D	T6*16mm	Red	DC 24V	F6	21±2mA	620-630	0.8 lm	30K(h)	95°
LT6MF6-RD-04D	T6*16mm	Red	DC 28V	F6	20±2mA	620-630	0.7 lm	30K(h)	95°
LT6MF6-RD-05D	T6*16mm	Red	DC 36V	F6	15±2mA	620-630	0.5 lm	30K(h)	95°
LT6MF6-RD-06D	T6*16mm	Red	DC 48V	F6	15±2mA	620-630	0.5 lm	30K(h)	95°
LT6MF6-RD-07D	T6*16mm	Red	DC 60V	F6	14±2mA	620-630	0.4 lm	30K(h)	95°
LT6MF6-GD-01D	T6*16mm	Green	DC 6V	F6	19±2mA	515-525	1.3 lm	30K(h)	95°
LT6MF6-GD-02D	T6*16mm	Green	DC 12V	F6	19±2mA	515-525	1.3 lm	30K(h)	95°
LT6MF6-GD-03D	T6*16mm	Green	DC 24V	F6	20±2mA	515-525	1.4 lm	30K(h)	95°
LT6MF6-GD-04D	T6*16mm	Green	DC 28V	F6	19±2mA	515-525	1.3 lm	30K(h)	95°
LT6MF6-GD-05D	T6*16mm	Green	DC 36V	F6	13±2mA	515-525	0.9 lm	30K(h)	95°
LT6MF6-GD-06D	T6*16mm	Green	DC 48V	F6	13±2mA	515-525	0.9 lm	30K(h)	95°
LT6MF6-GD-07D	T6*16mm	Green	DC 60V	F6	13±2mA	515-525	0.8 lm	30K(h)	95°
LT6MF6-BD-01D	T6*16mm	Blue	DC 6V	F6	19±2mA	465-475	0.5 lm	30K(h)	95°
LT6MF6-BD-02D	T6*16mm	Blue	DC 12V	F6	19±2mA	465-475	0.5 lm	30K(h)	95°
LT6MF6-BD-03D	T6*16mm	Blue	DC 24V	F6	20±2mA	465-475	0.6 lm	30K(h)	95°
LT6MF6-BD-04D	T6*16mm	Blue	DC 28V	F6	19±2mA	465-475	0.5 lm	30K(h)	95°
LT6MF6-BD-05D	T6*16mm	Blue	DC 36V	F6	13±2mA	465-475	0.3 lm	30K(h)	95°
LT6MF6-BD-06D	T6*16mm	Blue	DC 48V	F6	13±2mA	465-475	0.3 lm	30K(h)	95°
LT6MF6-BD-07D	T6*16mm	Blue	DC 60V	F6	13±2mA	465-475	0.3 lm	30K(h)	95°
LT6MF6-AD-01D	T6*16mm	Amber	DC 6V	F6	21±2mA	585-595	0.3 lm	30K(h)	95°
LT6MF6-AD-02D	T6*16mm	Amber	DC 12V	F6	21±2mA	585-595	0.3 lm	30K(h)	95°
LT6MF6-AD-03D	T6*16mm	Amber	DC 24V	F6	22±2mA	585-595	0.4 lm	30K(h)	95°
LT6MF6-AD-04D	T6*16mm	Amber	DC 28V	F6	20±2mA	585-595	0.3 lm	30K(h)	95°
LT6MF6-AD-05D	T6*16mm	Amber	DC 36V	F6	14±2mA	585-595	0.3 lm	30K(h)	95°
LT6MF6-AD-06D	T6*16mm	Amber	DC 48V	F6	14±2mA	585-595	0.3 lm	30K(h)	95°
LT6MF6-AD-07D	T6*16mm	Amber	DC 60V	F6	13±2mA	585-595	0.2 lm	30K(h)	95°
LT6MF6-WD-01D	T6*16mm	White	DC 6V	F6	19±2mA	(K)5000-6000	1.2 lm	30K(h)	95°
LT6MF6-WD-02D	T6*16mm	White	DC 12V	F6	19±2mA	(K)5000-6000	1.2 lm	30K(h)	95°
LT6MF6-WD-03D	T6*16mm	White	DC 24V	F6	20±2mA	(K)5000-6000	1.2 lm	30K(h)	95°
LT6MF6-WD-04D	T6*16mm	White	DC 28V	F6	19±2mA	(K)5000-6000	1.1 lm	30K(h)	95°
LT6MF6-WD-05D	T6*16mm	White	DC 36V	F6	14±2mA	(K)5000-6000	1.1 lm	30K(h)	95°
LT6MF6-WD-06D	T6*16mm	White	DC 48V	F6	14±2mA	(K)5000-6000	1.1 lm	30K(h)	95°
LT6MF6-WD-07D	T6*16mm	White	DC 60V	F6	13±2mA	(K)5000-6000	1.0 lm	30K(h)	95°

Precautions in handling

- Blue, Green, and White products are so sensitive to ESD that user's require to handle with care.
- Customer designs are acceptable on the Lamp's M.O.L (Max of Length) Viewing Angle and/or Wave Length.

Package (Box)

Bulk..... 100 Pcs/Box
 Bulk..... 25 Box/M.Carton
 Bulk..... 5000 Pcs/Carton

Package (Anti-Static Bag)

Bulk..... 100 Pcs/Bag
 Bulk..... 20 Bag/Box
 Bulk..... 4000 Pcs/Carton

Design Current Will be a difference depends on the Vf value of LED bulb.

$2\theta \ 1/2 \ (\text{deg}) = 30^\circ$

Copy Right