

Type : LFT1043-1C6

Characters :

Epoxy Lens Color:Water Clear.Frosted.

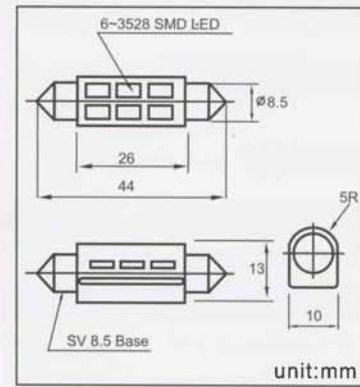
Color : Red. Green. Blue. Amber. White. Warm White.

Dia. & Length : **Base :**

T10*43mm. S8.5

Bulb Shape : **For :**

PCB-1 chip x6P Auto. Panel. Indicator.



Part Number and Description

Part Number	Diameter Length	Color	Volts	Base	Current (mA)±10%	Wave length(nm)	Lumens (lm)±20%	Life time(h)	Viewing Angle
LFT1043-R1C6-02D	T10x43mm	Red	DC 12V	S8.5	27mA	620-630	5 lm	30K(h)	160°
LFT1043-R1C6-03D	T10x43mm	Red	DC 24V	S8.5	25mA	620-630	5 lm	30K(h)	160°
LFT1043-G1C6-02D	T10x43mm	Green	DC 12V	S8.5	24mA	515-525	15 lm	30K(h)	160°
LFT1043-G1C6-03D	T10x43mm	Green	DC 24V	S8.5	22mA	515-525	14 lm	30K(h)	160°
LFT1043-B1C6-02D	T10x43mm	Blue	DC 12V	S8.5	23mA	465-475	3 lm	30K(h)	160°
LFT1043-B1C6-03D	T10x43mm	Blue	DC 24V	S8.5	22mA	465-475	3 lm	30K(h)	160°
LFT1043-A1C6-02D	T10x43mm	Amber	DC 12V	S8.5	28mA	590-600	6 lm	30K(h)	160°
LFT1043-A1C6-03D	T10x43mm	Amber	DC 24V	S8.5	27mA	590-600	5 lm	30K(h)	160°
LFT1043-W1C6-02D	T10x43mm	White	DC 12V	S8.5	25mA	(K)5000-6000	15 lm	30K(h)	160°
LFT1043-W1C6-03D	T10x43mm	White	DC 24V	S8.5	23mA	(K)5000-6000	14 lm	30K(h)	160°
LFT1043-WW1C6-02D	T10x43mm	Warm White	DC 12V	S8.5	25mA	(K)2500-3000	15 lm	30K(h)	160°
LFT1043-WW1C6-03D	T10x43mm	Warm White	DC 24V	S8.5	23mA	(K)2500-3000	14 lm	30K(h)	160°

Precautions in handling

1. Blue, Green, and White products are so sensitive to ESD that user's require to handle with care.
2. Customer designs are acceptable on the Lamp's M.O.L (Max of Length) Viewing Angle and/or Wave Length.

Package (Box)

- Bulk..... 100 Pcs/Box
- Bulk..... 20 Box/M.Carton
- Bulk..... 4000 Pcs/Carton

Package (Anti-Static Bag)

- Bulk..... 100 Pcs/Bag
- Bulk..... 20 Bag/Box
- Bulk..... 4000 Pcs/Carton

Patent.NO:M353320