

**Type: LT1230E-SD****Characters :**

Epoxy Lens Color:Water Clear.Frosted.

**Color :** Red. Green. Blue. Amber. White.**Dia. & Length :** **Base :**

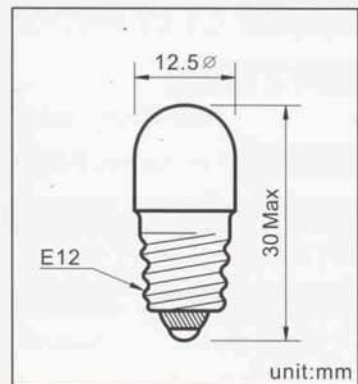
T12\*30mm.

E12

**Bulb Shape :** **For :**

Single-Dome

Indicator. Auto. Signal

**Part Number and Description**

Part Number	Diameter Length	Color	Volts	Base	Design Current (mA)	Wave length(nm)	Lumens (M.c.d)	Life time(h)	Viewing Angle
LT1230E-RD-01D	T12*30mm	Red	DC 6V	E12	19±2mA	620-630	0.7 lm	30K(h)	90°
LT1230E-RD-02D	T12*30mm	Red	DC 12V	E12	19±2mA	620-630	0.7 lm	30K(h)	90°
LT1230E-RD-03D	T12*30mm	Red	DC 24V	E12	18±2mA	620-630	0.7 lm	30K(h)	90°
LT1230E-RD-04D	T12*30mm	Red	DC 28V	E12	19±2mA	620-630	0.7 lm	30K(h)	90°
LT1230E-RD-05D	T12*30mm	Red	DC 36V	E12	18±2mA	620-630	0.7 lm	30K(h)	90°
LT1230E-RD-06D	T12*30mm	Red	DC 48V	E12	16±2mA	620-630	0.6 lm	30K(h)	90°
LT1230E-RD-07D	T12*30mm	Red	DC 60V	E12	12±2mA	620-630	0.4 lm	30K(h)	90°
LT1230E-RD-08A	T12*30mm	Red	AC 110V	E12	6±2mA	620-630	0.2 lm	30K(h)	90°
LT1230E-RD-09A	T12*30mm	Red	AC 220V	E12	4±2mA	620-630	0.1 lm	30K(h)	90°
LT1230E-GD-01D	T12*30mm	Green	DC 6V	E12	18±2mA	515-525	1.5 lm	30K(h)	90°
LT1230E-GD-02D	T12*30mm	Green	DC 12V	E12	18±2mA	515-525	1.5 lm	30K(h)	90°
LT1230E-GD-03D	T12*30mm	Green	DC 24V	E12	18±2mA	515-525	1.5 lm	30K(h)	90°
LT1230E-GD-04D	T12*30mm	Green	DC 28V	E12	19±2mA	515-525	1.5 lm	30K(h)	90°
LT1230E-GD-05D	T12*30mm	Green	DC 36V	E12	18±2mA	515-525	1.5 lm	30K(h)	90°
LT1230E-GD-06D	T12*30mm	Green	DC 48V	E12	16±2mA	515-525	1.3 lm	30K(h)	90°
LT1230E-GD-07D	T12*30mm	Green	DC 60V	E12	11±2mA	515-525	1.1 lm	30K(h)	90°
LT1230E-GD-08A	T12*30mm	Green	AC 110V	E12	5±2mA	515-525	0.5 lm	30K(h)	90°
LT1230E-GD-09A	T12*30mm	Green	AC 220V	E12	3±2mA	515-525	0.3 lm	30K(h)	90°
LT1230E-BD-01D	T12*30mm	Blue	DC 6V	E12	18±2mA	465-475	0.9 lm	30K(h)	90°
LT1230E-BD-02D	T12*30mm	Blue	DC 12V	E12	18±2mA	465-475	1.0 lm	30K(h)	90°
LT1230E-BD-03D	T12*30mm	Blue	DC 24V	E12	18±2mA	465-475	0.9 lm	30K(h)	90°
LT1230E-BD-04D	T12*30mm	Blue	DC 28V	E12	19±2mA	465-475	1.0 lm	30K(h)	90°
LT1230E-BD-05D	T12*30mm	Blue	DC 36V	E12	18±2mA	465-475	0.9 lm	30K(h)	90°
LT1230E-BD-06D	T12*30mm	Blue	DC 48V	E12	16±2mA	465-475	0.7 lm	30K(h)	90°
LT1230E-BD-07D	T12*30mm	Blue	DC 60V	E12	11±2mA	465-475	0.5 lm	30K(h)	90°
LT1230E-BD-08A	T12*30mm	Blue	AC 110V	E12	5±2mA	465-475	0.2 lm	30K(h)	90°
LT1230E-BD-09A	T12*30mm	Blue	AC 220V	E12	3±2mA	465-475	0.1 lm	30K(h)	90°
LT1230E-AD-01D	T12*30mm	Amber	DC 6V	E12	19±2mA	585-595	0.6 lm	30K(h)	90°
LT1230E-AD-02D	T12*30mm	Amber	DC 12V	E12	19±2mA	585-595	0.6 lm	30K(h)	90°
LT1230E-AD-03D	T12*30mm	Amber	DC 24V	E12	18±2mA	585-595	0.6 lm	30K(h)	90°
LT1230E-AD-04D	T12*30mm	Amber	DC 28V	E12	19±2mA	585-595	0.6 lm	30K(h)	90°
LT1230E-AD-05D	T12*30mm	Amber	DC 36V	E12	17±2mA	585-595	0.5 lm	30K(h)	90°
LT1230E-AD-06D	T12*30mm	Amber	DC 48V	E12	14±2mA	585-595	0.4 lm	30K(h)	90°
LT1230E-AD-07D	T12*30mm	Amber	DC 60V	E12	11±2mA	585-595	0.3 lm	30K(h)	90°
LT1230E-AD-08A	T12*30mm	Amber	AC 110V	E12	6±2mA	585-595	0.2 lm	30K(h)	90°
LT1230E-AD-09A	T12*30mm	Amber	AC 220V	E12	4±2mA	585-595	0.1 lm	30K(h)	90°
LT1230E-WD-01D	T12*30mm	White	DC 6V	E12	18±2mA	(K)5000-6000	2.4 lm	30K(h)	90°
LT1230E-WD-02D	T12*30mm	White	DC 12V	E12	18±2mA	(K)5000-6000	2.4 lm	30K(h)	90°
LT1230E-WD-03D	T12*30mm	White	DC 24V	E12	18±2mA	(K)5000-6000	2.4 lm	30K(h)	90°
LT1230E-WD-04D	T12*30mm	White	DC 28V	E12	19±2mA	(K)5000-6000	2.4 lm	30K(h)	90°
LT1230E-WD-05D	T12*30mm	White	DC 36V	E12	17±2mA	(K)5000-6000	2.3 lm	30K(h)	90°
LT1230E-WD-06D	T12*30mm	White	DC 48V	E12	16±2mA	(K)5000-6000	2.1 lm	30K(h)	90°
LT1230E-WD-07D	T12*30mm	White	DC 60V	E12	12±2mA	(K)5000-6000	1.5 lm	30K(h)	90°
LT1230E-WD-08A	T12*30mm	White	AC 110V	E12	6±2mA	(K)5000-6000	0.6 lm	30K(h)	90°
LT1230E-WD-09A	T12*30mm	White	AC 220V	E12	3±2mA	(K)5000-6000	0.2 lm	30K(h)	90°

Design Current Will be a difference depends on the Vf value of LED bulb.

2θ 1/2 (deg) = 30°

Copy Right