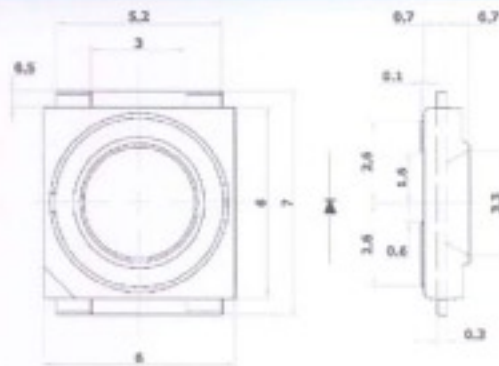


# High Power 1 Watt LED

## L995 1 WATT 120 Degrees Viewing Angle

PACKAGE DIMENSION:



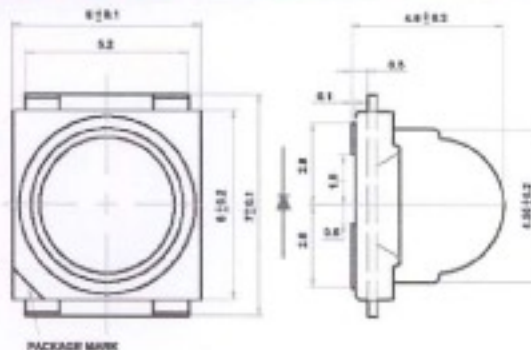
Notes: Unit = mm [inch] , Tolerance = ±0.25mm [±0.01 inch]

Part Number	Chip		Vf (V)		Luminous Intensity	Total Flux	lp (nm)
	Material	Emitted Color	If = 400mA *If=350mA Typ. Max.		Iv (mcd) If=400mA *If=350mA	Lm If=400mA *If=350mA	Peak Wavelength
L995PUYC	AlInGaP	Red	2.2	2.8	7150~11250	30~32	625
L995PUYC	AlInGaP	Yellow	2.2	2.8	9000~14000	32~35	589
L995PUBC	InGaN	Blue	3.6*	4.0*	2240~4500*	14~27	470
L995PUWC	InGaN	White	3.6*	4.0*	14000~22400*	55*	-
L995MUMWC	InGaN	Warm White	3.6*	4.0*	13000*	38*	-

# High Power 1 Watt LED

## L995 1 WATT 40 Degrees Viewing Angle

PACKAGE DIMENSION:



Notes: Unit = mm [inch] , Tolerance = ±0.25mm [±0.01 inch]

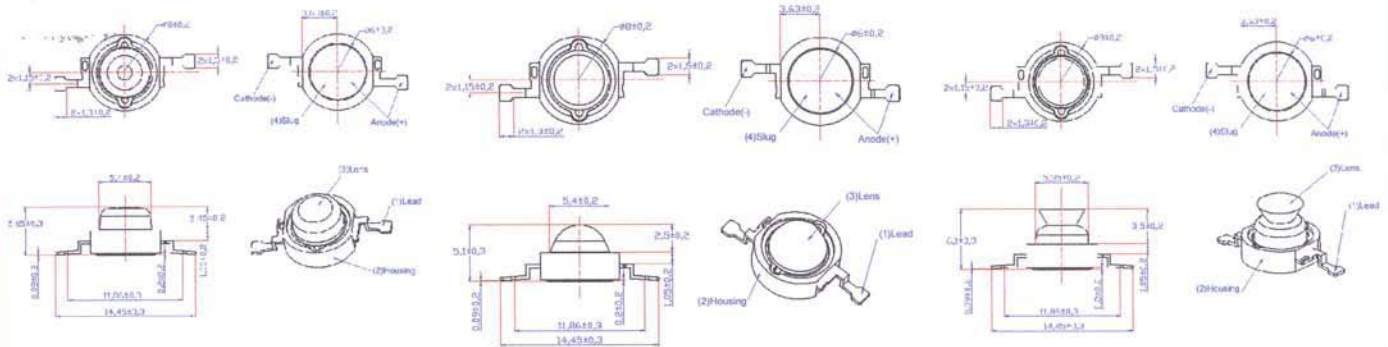
Part Number	Chip		Vf (V)		Luminous Intensity	Total Flux	lp (nm)
	Material	Emitted Color	If = 400mA		Iv (mcd)	Lm	Peak

# 1 Watt @ 350mA

Batwing Dimension :

Lambertian:

SIDE EMITTING



Part Number



Chip

Vf (V)

Iv (lm)

Ip (nm)

Material

Emitted Color

If = 350mA

Luminous Flux

Peak Wavelength

Typ.

Max.

If = 350 mA

Part Number	Material	Emitted Color	If = 350mA		Luminous Flux If = 350 mA	Peak Wavelength
			Typ.	Max.		
PU-1WLWX	InGaN	White	3.8	4.5	45	5500K typ.
PU-1WUWX	InGaN	White	3.5	4.0	45	5500K typ.
PU-1WLBX	InGaN	Blue	3.5	4.0	12	470
PU-1WLPGX	InGaN	Green	3.5	4.0	40	525
PU-1WLEX	AllnGaP	Red	2.3	3	40	625
PU-1WLYX	AllnGaP	Yellow	2.4	3	45	590
PU03-1WLWX	InGaN	White	2.8	3.7	70	6000K Typ.

# 3 Watt @ 700mA

PU-3WWX	InGaN	White	3.5	4.0	80	4500K~1000K
PU-3WMX	InGaN	Warm White	3.5	4.0	70	2850K~3800K
PU-3WBX	InGaN	Blue	3.5	4.0	20	470
PU-3WGX	InGaN	Green	3.5	4.0	70	525
PU-3WEX	AllnGaP	Red	2.2	3.1	64	625
PU-3WYX	AllnGaP	Yellow	2.2	3.1	72	590
PU-3WRX	AlGaAs	Red	2.4	2.8	13	660
PU02-3WWX	InGaN	White	3.1	4.3	90	-

# 5 Watt @ 700mA / 1000mA\*

PU-5WWX	InGaN	White	7.1	8	150	4500K~1000K
PU-5WMX	InGaN	Warm White	7.1	8	135	2850K~3800K
PU-5WBX	InGaN	Blue	7.1	8	40	470
PU-5WGX	InGaN	Green	7.1	8	130	525
PU-5WEX	AllnGaP	Red	4.4	6.2	125	625
PU-5WYX	AllnGaP	Yellow	4.4	6.2	150	590
PU02-5WWX	InGaN	White	3.4*	4.3*	180	-



Radiation Pattern Ordering Codes:

Batwing – ordering code: PU-1WXB~~E~~, replace X with color code

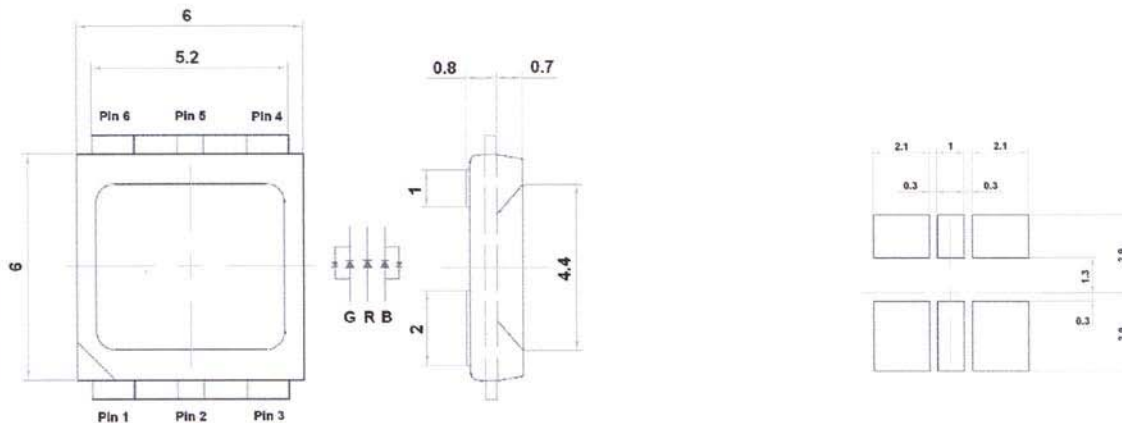
Lambertian – ordering code: PU-1WX~~E~~, replace X with color code

Side Emitting – ordering code: PU-1WXSE, replace X with color code

Star Package – ordering code: PU-1WLWE, replace E with S for star package

# 1 Watt RGB @ 250mA

Fig. 1 Package Dimension :



Notes: Unit = mm [inch] , Tolerance =  $\pm 0.25\text{mm}$  [ $\pm 0.01$  inch]

Part Number	Chip		Luminous FLUX	Forward Voltage	Viewing Angle	Wavelength
	Color	Grade	Range (lm)	Vf	Degree	nm
L996PUETGB	Red	Z2	16.8~21.5	Typ. 1.8	130	620 - 630
			21.5~27.0	Max. 2.45		
	Green	AB	26.1~32.6	Typ. 3.7	130	521~536
			32.6~40.6	Max. 4.25		
			Blue	X2		
7.55~9.41	Max. 4.25					